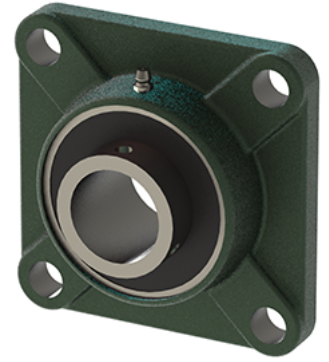
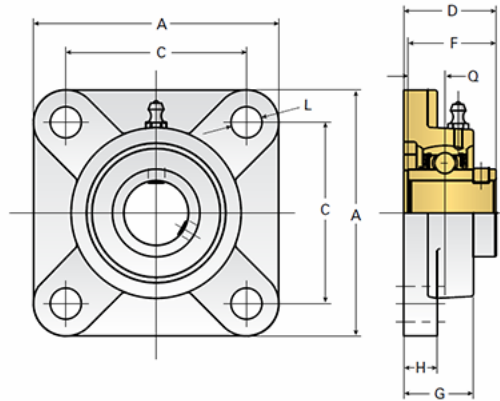


EZCF206-20

Call 800-321-7800 or visit us online at www.nookindustries.com to configure and order your EZCF206-20 today!



Details	
Bore Diameter [in]	1.25
Dimensions	
A [mm]	108
C [mm]	83
D [mm]	40.2
F [mm]	38.1
G [mm]	31
H [mm]	13
L [mm]	12
Q [mm]	15.9
Product Compatibility Selection	
BSJ	-
MSJ	10-MSJ
SS-MSJ	10SS-MSJ
EM-BSJ	-
EM-MSJ	-
Bevel	-
Link Shafting	-