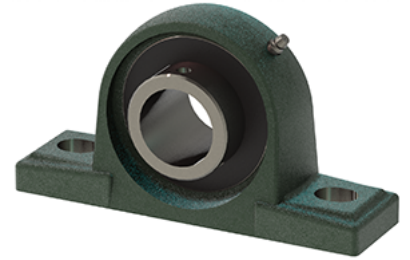
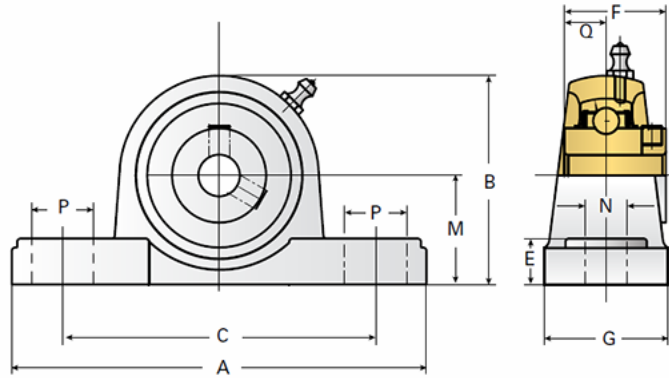


EZCP209

Call 800-321-7800 or visit us online at www.nookindustries.com to configure and order your EZCP209 today!



Details

Bore Diameter [mm] 45

Dimensions

A [mm] 54
 B [mm] 108
 C [mm] 146
 E [mm] 20
 F [mm] 49.2
 G [mm] 54
 M [mm] 54
 N [mm] 17
 P [mm] 21
 Q [mm] 19

Product Compatibility Selection

BSJ 20/20HL-BSJ
 MSJ -
 SS-MSJ -
 EM-BSJ EM-20-BSJ
 EM-MSJ EM20-MSJ
 Bevel G3
 Link Shafting -