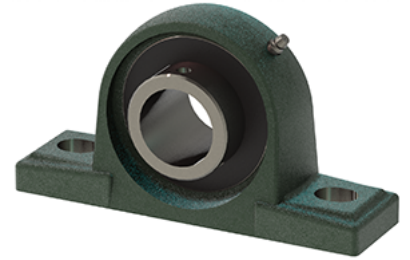
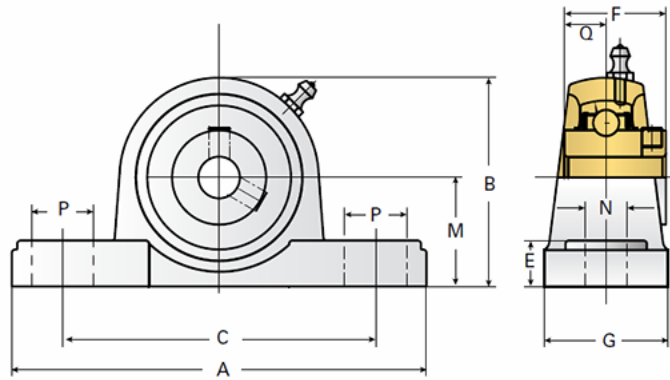


EZCP206

Call 800-321-7800 or visit us online at www.nookindustries.com to configure and order your EZCP206 today!



Details

Bore Diameter [mm] 30

Dimensions

A [mm]	165
B [mm]	83
C [mm]	121
E [mm]	18
F [mm]	38.1
G [mm]	48
M [mm]	42.9
N [mm]	17
P [mm]	21
Q [mm]	15.9

Product Compatibility Selection

BSJ	-
MSJ	-
SS-MSJ	-
EM-BSJ	EM10-BSJ
EM-MSJ	EM10-MSJ
Bevel	-
Link Shafting	-