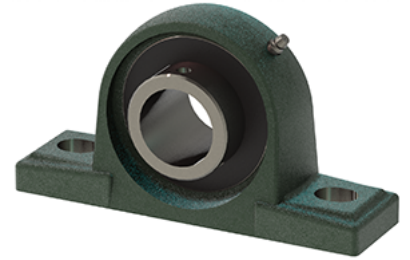
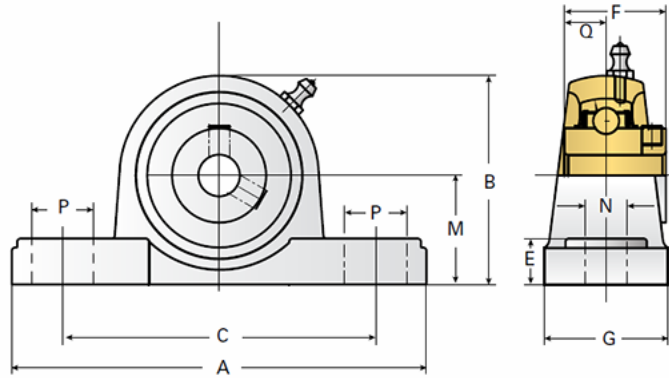


EZCP209-28

Call 800-321-7800 or visit us online at www.nookindustries.com to configure and order your EZCP209-28 today!



Details

Bore Diameter [in] 1.75

Dimensions

A [mm]	54
B [mm]	108
C [mm]	146
E [mm]	20
F [mm]	49.2
G [mm]	54
M [mm]	54
N [mm]	17
P [mm]	21
Q [mm]	19

Product Compatibility Selection

BSJ	-
MSJ	20-MSJ
SS-MSJ	20SS-MSJ
EM-BSJ	-
EM-MSJ	-
Bevel	-
Link Shafting	-