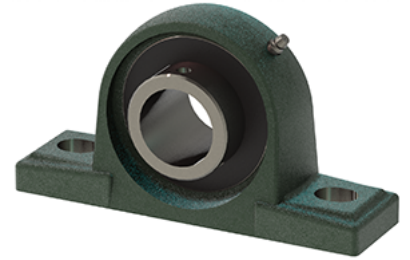
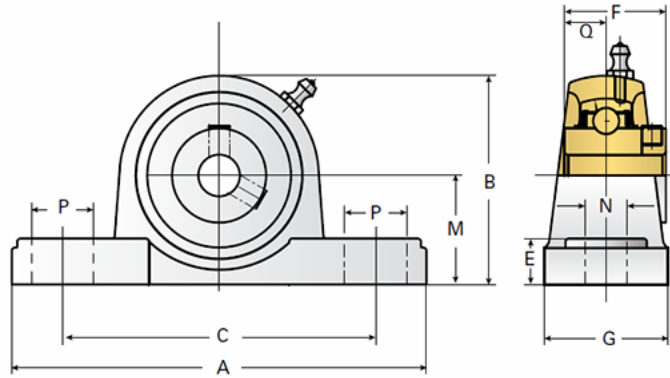


## EZCP206-20

Call 800-321-7800 or visit us online at [www.nookindustries.com](http://www.nookindustries.com) to configure and order your EZCP206-20 today!



### Details

Bore Diameter [in] 1.25

### Dimensions

A [mm]	165
B [mm]	83
C [mm]	121
E [mm]	18
F [mm]	38.1
G [mm]	48
M [mm]	42.9
N [mm]	17
P [mm]	21
Q [mm]	15.9

### Product Compatibility Selection

BSJ	-
MSJ	10-MSJ
SS-MSJ	10SS-MSJ
EM-BSJ	-
EM-MSJ	-
Bevel	-
Link Shafting	-