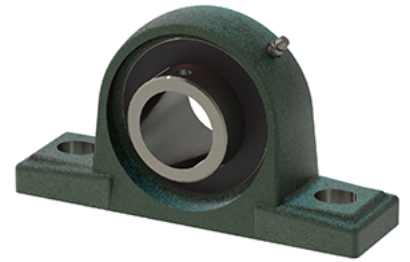
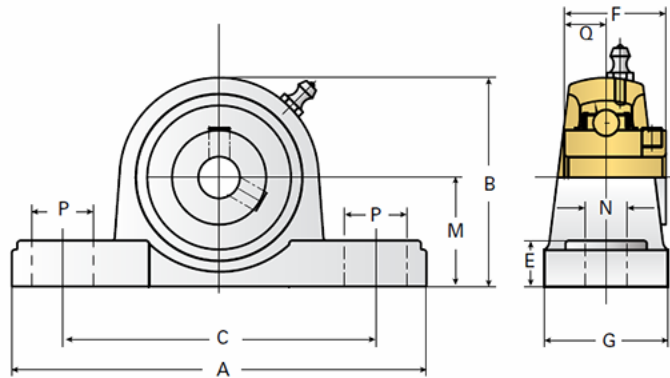


EZCP205-16

Call 800-321-7800 or visit us online at www.nookindustries.com to configure and order your EZCP205-16 today!



Details

Bore Diameter [in] 1.00

Dimensions

A [mm]	140
B [mm]	70
C [mm]	105
E [mm]	16
F [mm]	34
G [mm]	38
M [mm]	36.6
N [mm]	13
P [mm]	19
Q [mm]	14.3

Product Compatibility Selection

BSJ	-
MSJ	5-MSJ
SS-MSJ	5SS-MSJ
EM-BSJ	-
EM-MSJ	-
Bevel	-
Link Shafting	LJ/LJK-16