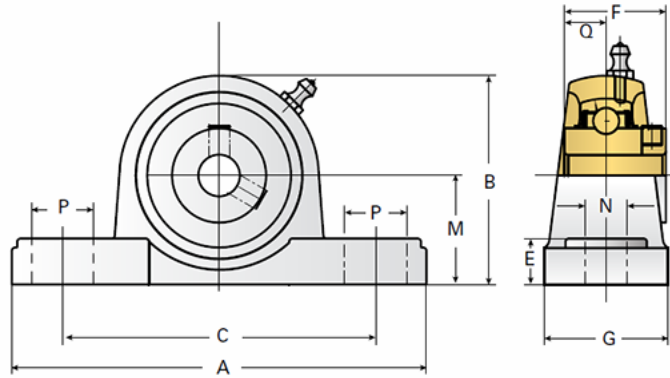


EZCP202-10

Call 800-321-7800 or visit us online at www.nookindustries.com to configure and order your EZCP202-10 today!



Details

Bore Diameter [in]	0.63
--------------------	------

Dimensions

A [mm]	127
B [mm]	65
C [mm]	95
E [mm]	15
F [mm]	31
G [mm]	38
M [mm]	33.3
N [mm]	13
P [mm]	19
Q [mm]	12.7

Product Compatibility Selection

BSJ	-
MSJ	2/2R/2.5-MSJ
SS-MSJ	2SS-MSJ
EM-BSJ	-
EM-MSJ	-
Bevel	-
Link Shafting	-