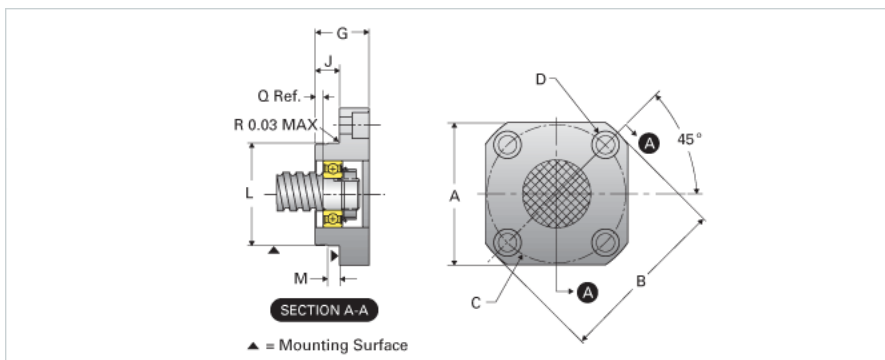
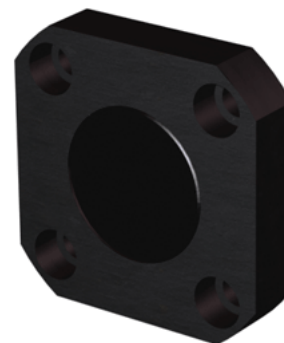


EZZE-MOUNT EZF-4045

Call 800-321-7800 or visit us online at www.nookindustries.com to configure and order your EZZE-MOUNT EZF-4045 today!



Product Info

| | |
|-----------------------------------|----------|
| Part Number | EZF-4045 |
| Machined End Code | 45 |
| Nominal Bearing Journal Size [mm] | 45 |

Dimensions

| | |
|--------------------|--------|
| A [in] | 6.50 |
| B - Diameter [in] | 7.88 |
| C Bolt Circle [in] | 6.313 |
| C'Bore [in] | 1.25 |
| D Thru [in] | 0.781 |
| G [in] | 2.50 |
| J [in] | 1.25 |
| L Maximum [in] | 4.8025 |
| L Minimum [in] | 4.8015 |
| M [in] | 0.500 |
| Q [in] | 0.50 |

Weight

| | |
|-------------|------|
| Weight [lb] | 7.00 |
|-------------|------|