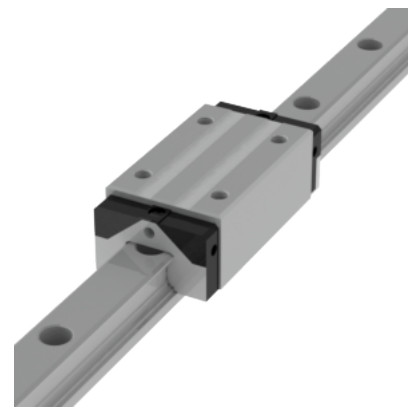
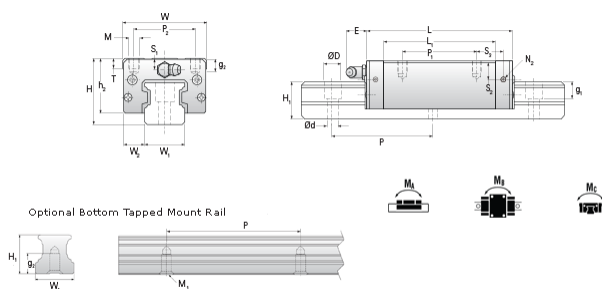


NHRC 30 ML Assembly

Call 800-321-7800 or visit us online at www.nookindustries.com to configure and order your NHRC 30 ML Assembly today!



| | |
|--|----------|
| Dimensions | |
| H [mm] | 45 |
| W2 [mm] | 16 |
| Long Caged Ball Block Four Mounting Holes (Runner Block)Details | |
| Size [mm] | 30 |
| (Runner Block)Dimensions | |
| W [mm] | 60 |
| L [mm] | 118 |
| L1 [mm] | 94 |
| h2 [mm] | 38.4 |
| P1 [mm] | 60 |
| P2 [mm] | 40 |
| M1 [mm] | — |
| M × g2 | M8 × 12 |
| T [mm] | 12 |
| N1 | M6 × 8.5 |
| N2 | M6 × 5 |
| N3 [O-Ring Seal] | P5 |
| E [mm] | 12 |
| S1 [mm] | 10.5 |
| S2 [mm] | 15 |
| S3 [mm] | 21.7 |
| S4 [mm] | 21.8 |
| (Runner Block)Forces and Torques | |
| Basic Load Ratings C [kN] | 39.6 |
| Basic Load Ratings C0 [kN] | 70.2 |
| Static Moment Ratings-Ma [N-m] | 950.0 |
| Static Moment Ratings-Mb [N-m] | 950.0 |
| Static Moment Ratings-Mc [N-m] | 1105.0 |
| (Runner Block)Weight | |
| Weight-Block [g] | 1150 |
| Caged Ball Rail Top Mount (Top Mount Rail)Details | |
| Size [mm] | 30 |
| (Top Mount Rail)Dimensions | |
| W1 [mm] | 28 |
| H1 [mm] | 27 |
| P [mm] | 80 |
| D [mm] | 14 |
| d1 [mm] | 9 |
| g1 [mm] | 12 |
| (Top Mount Rail)Weight | |
| Weights-Rail [g/m] | 4380.0 |
| Caged Ball Rail Bottom Tapped Mount (Bottom Mount Rail)Details | |
| Size [mm] | 30 |
| (Bottom Mount Rail)Dimensions | |
| W1 [mm] | 28 |
| H1 [mm] | 27 |
| P [mm] | 80 |
| M × g3 | M8 × 15 |
| (Bottom Mount Rail)Weight | |
| Weights-Rail [g/m] | 4380.0 |