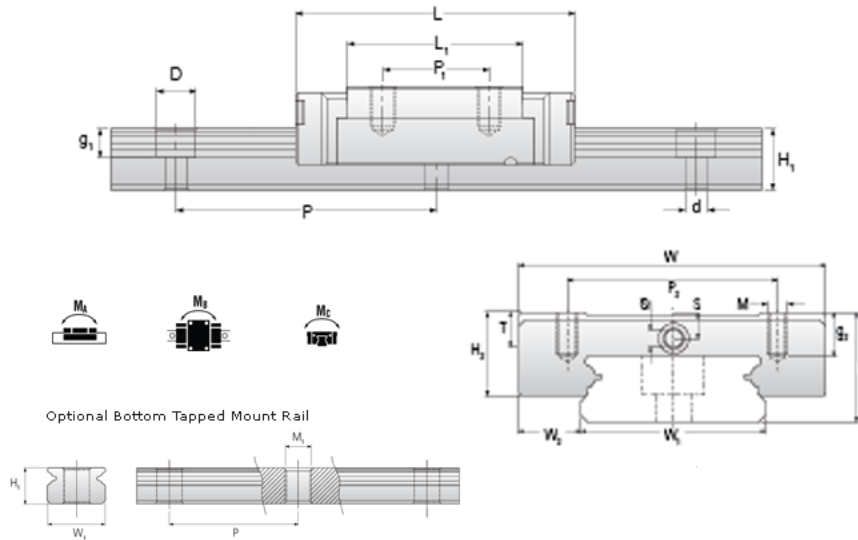
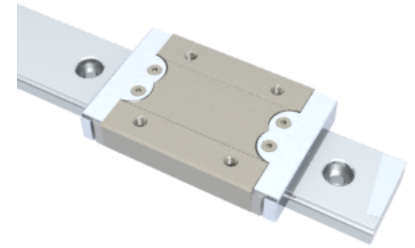


## NMR 12WL EZ Assembly

Call 800-321-7800 or visit us online at [www.nookindustries.com](http://www.nookindustries.com) to configure and order your NMR 12WL EZ Assembly today!



### Dimensions

H [mm]	14
W2 [mm]	8

### Wide Miniature Block Four Mounting Holes (Runner Block)Details

Size [mm]	12
-----------	----

### (Runner Block)Dimensions

W [mm]	40
L [mm]	60.8
L1 [mm]	46
h2 [mm]	10.9
P1 [mm]	28
P2 [mm]	28
M × g2	M3 × 3.5
Ø [mm]	1.3
S [mm]	3.1
T [mm]	4.5

### (Runner Block)Forces and Torques

Basic Load Ratings C [N]	4070
Basic Load Ratings C0 [N]	7800
Static Moment Ratings-Ma [N-m]	95.6
Static Moment Ratings-Mb [N-m]	56.4
Static Moment Ratings-Mc [N-m]	56.4

### (Runner Block)Weight

Weight-Block [g]	96
------------------	----

### Wide Miniature Rail Top Mount Single Row (Top Mount Rail)Details

Size [mm]	12
-----------	----

### (Top Mount Rail)Dimensions

H [mm]	14
W1 [mm]	24
H1 [mm]	8.5
P [mm]	40
D [mm]	8
d1 [mm]	4.5
g1 [mm]	4.5

### (Top Mount Rail)Weight

Weights-Rail [g/m]	1472.0
--------------------	--------

### Wide Miniature Rail Bottom Tapped Mount Single Row (Bottom Mount Rail)Details

Size [mm]	12
-----------	----

### (Bottom Mount Rail)Dimensions

H1 [mm]	9.5
W1 [mm]	42
P [mm]	40
M1	M5 x 0.8

### (Bottom Mount Rail)Weight

Weights-Rail [g/m]	1472.0
--------------------	--------