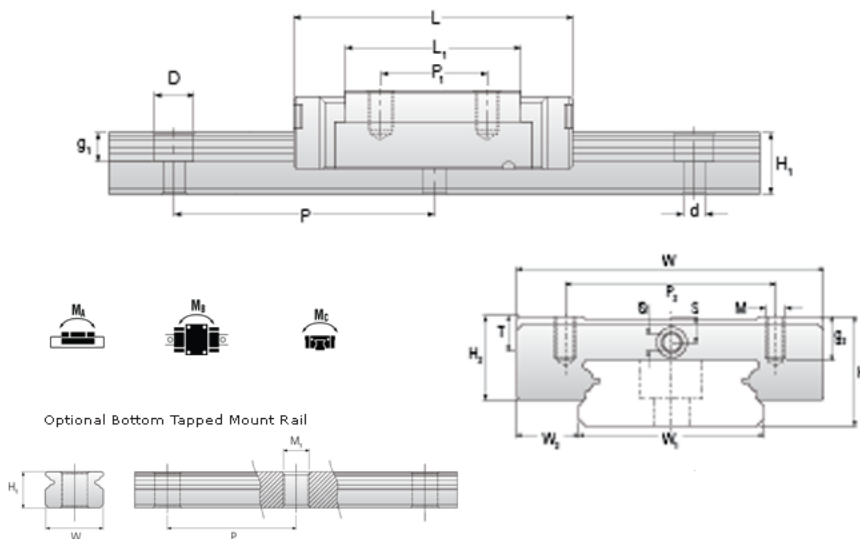
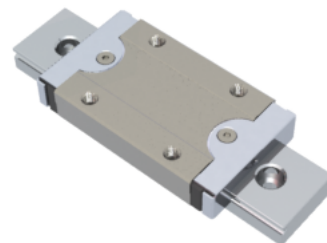


NMR 9WL EZ Assembly

Call 800-321-7800 or visit us online at www.nookindustries.com to configure and order your NMR 9WL EZ Assembly today!



Dimensions

H [mm]	12
W2 [mm]	6

Wide Miniature Block Four Mounting Holes (Runner Block)Details

Size [mm]	9
-----------	---

(Runner Block)Dimensions

W [mm]	30
L [mm]	51.8
L1 [mm]	39.5
h2 [mm]	9.2
P1 [mm]	24
P2 [mm]	23
M × g2	M3 × 3
Ø [mm]	1.3
S [mm]	2.6
T [mm]	4

(Runner Block)Forces and Torques

Basic Load Ratings C [N]	2550
Basic Load Ratings C0 [N]	4990
Static Moment Ratings-Ma [N-m]	45.9
Static Moment Ratings-Mb [N-m]	26.7
Static Moment Ratings-Mc [N-m]	26.7

(Runner Block)Weight

Weight-Block [g]	51
------------------	----

Wide Miniature Rail Top Mount Single Row (Top Mount Rail)Details

Size [mm]	9
-----------	---

(Top Mount Rail)Dimensions

H [mm]	12
W1 [mm]	18
H1 [mm]	7.3
P [mm]	30
D [mm]	6
d1 [mm]	3.5
g1 [mm]	3.5

(Top Mount Rail)Weight

Weights-Rail [g/m]	940.0
--------------------	-------

Wide Miniature Rail Bottom Tapped Mount Single Row (Bottom Mount Rail)Details

Size [mm]	9
-----------	---

(Bottom Mount Rail)Dimensions

H1 [mm]	8.5
W1 [mm]	24
P [mm]	40
M1	M5 x 0.8

(Bottom Mount Rail)Weight

Weights-Rail [g/m]	940.0
--------------------	-------