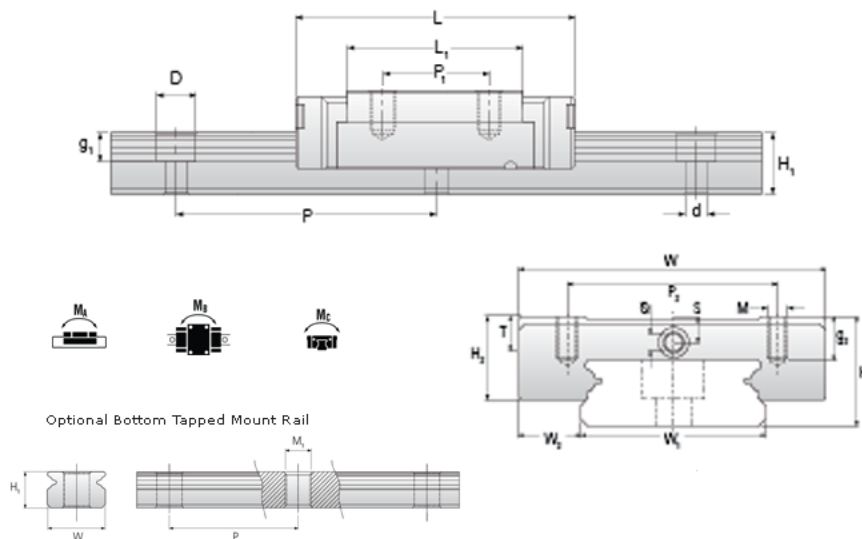
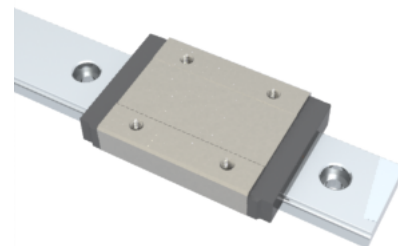


NMR 12WL SS Assembly

Call 800-321-7800 or visit us online at www.nookindustries.com to configure and order your NMR 12WL SS Assembly today!



| | |
|--|----------|
| Dimensions | |
| H [mm] | 14 |
| W2 [mm] | 8 |
| Wide Miniature Block Four Mounting Holes (Runner Block)Details | |
| Size [mm] | 12 |
| (Runner Block)Dimensions | |
| W [mm] | 40 |
| L [mm] | 59.4 |
| L1 [mm] | 46 |
| h2 [mm] | 10.1 |
| P1 [mm] | 28 |
| P2 [mm] | 28 |
| M × g2 | M3 × 3.5 |
| Ø [mm] | 1.3 |
| S [mm] | 3.1 |
| T [mm] | 4.5 |
| (Runner Block)Forces and Torques | |
| Basic Load Ratings C [N] | 4070 |
| Basic Load Ratings C0 [N] | 7800 |
| Static Moment Ratings-Ma [N-m] | 56.4 |
| Static Moment Ratings-Mb [N-m] | 56.4 |
| Static Moment Ratings-Mc [N-m] | 95.6 |
| (Runner Block)Weight | |
| Weight-Block [g] | 93 |
| Wide Miniature Rail Top Mount Single Row (Top Mount Rail)Details | |
| Size [mm] | 12 |
| (Top Mount Rail)Dimensions | |
| H [mm] | 14 |
| W1 [mm] | 24 |
| H1 [mm] | 8.5 |
| P [mm] | 40 |
| D [mm] | 8 |
| d1 [mm] | 4.5 |
| g1 [mm] | 4.5 |
| (Top Mount Rail)Weight | |
| Weights-Rail [g/m] | 1472.0 |
| Wide Miniature Rail Bottom Tapped Mount Single Row (Bottom Mount Rail)Details | |
| Size [mm] | 12 |
| (Bottom Mount Rail)Dimensions | |
| H1 [mm] | 9.5 |
| W1 [mm] | 42 |
| P [mm] | 40 |
| M1 | M5 x 0.8 |
| (Bottom Mount Rail)Weight | |
| Weights-Rail [g/m] | 1472.0 |