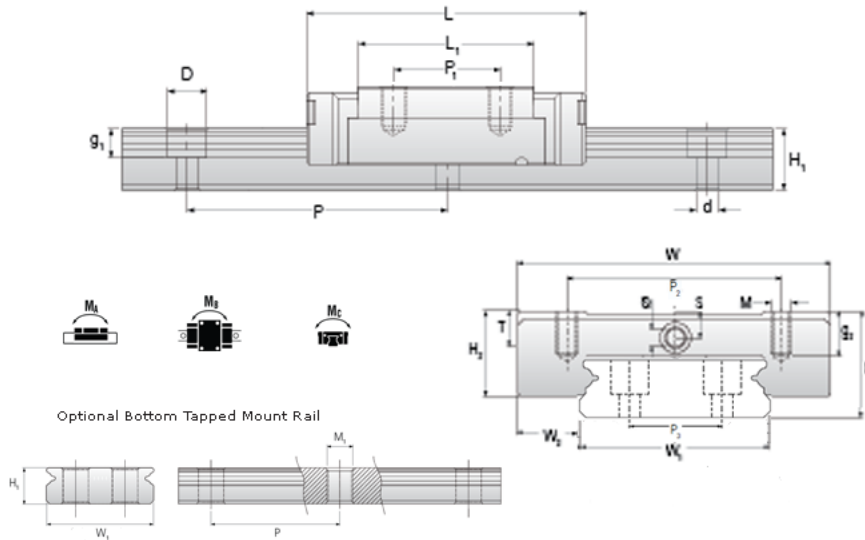
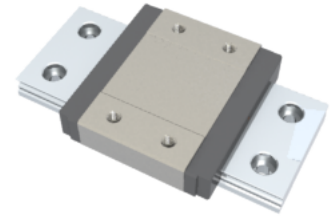


## NMR 15WN ZU Assembly

Call 800-321-7800 or visit us online at [www.nookindustries.com](http://www.nookindustries.com) to configure and order your NMR 15WN ZU Assembly today!



<b>Dimensions</b>	
H [mm]	16
W2 [mm]	9
<b>Wide Miniature Block Four Mounting Holes (Runner Block)Details</b>	
Size [mm]	15
<b>(Runner Block)Dimensions</b>	
W [mm]	60
L [mm]	55.3
L1 [mm]	38.5
h2 [mm]	12.3
P1 [mm]	20
P2 [mm]	45
M × g2	M4 × 4.5
Ø [mm]	1.8
S [mm]	3.3
T [mm]	4.5
<b>(Runner Block)Forces and Torques</b>	
Basic Load Ratings C [N]	5065
Basic Load Ratings C0 [N]	8385
Static Moment Ratings-Ma [N-m]	45.7
Static Moment Ratings-Mb [N-m]	45.7
Static Moment Ratings-Mc [N-m]	171.7
<b>(Runner Block)Weight</b>	
Weight-Block [g]	137
<b>Wide Miniature Rail Top Mount Double Row (Top Mount Rail)Details</b>	
Size [mm]	15
<b>(Top Mount Rail)Dimensions</b>	
H [mm]	16
W1 [mm]	42
H1 [mm]	9.5
P [mm]	40
P3 [mm]	23
D [mm]	8
d1 [mm]	4.5
g1 [mm]	4.5
<b>(Top Mount Rail)Weight</b>	
Weights-Rail [g/m]	2818.0
<b>Wide Miniature Rail Bottom Tapped Mount Double Row (Bottom Mount Rail)Details</b>	
Size [mm]	15
<b>(Bottom Mount Rail)Dimensions</b>	
H1 [mm]	9.5
W1 [mm]	42
P [mm]	40
P3 [mm]	23
M1	M5 x 0.8

