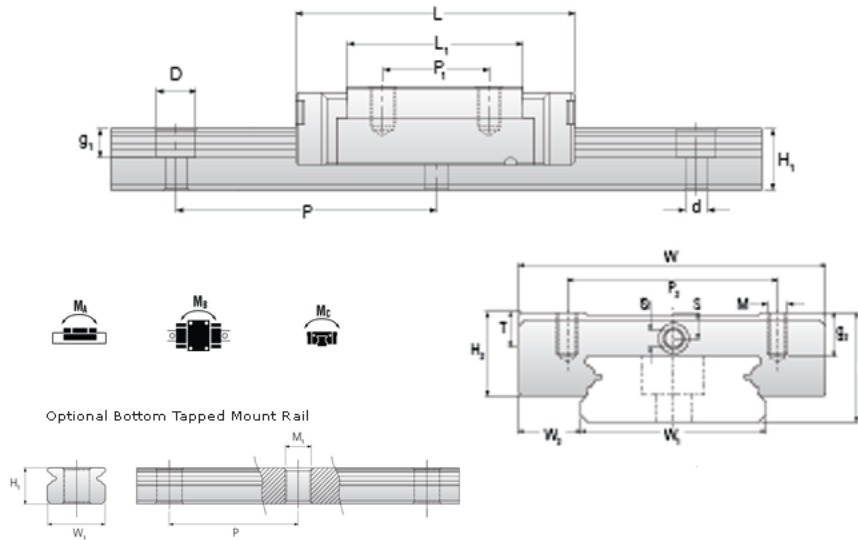
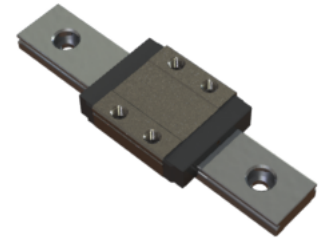


NMR 7WN ZU Assembly

Call 800-321-7800 or visit us online at www.nookindustries.com to configure and order your NMR 7WN ZU Assembly today!



Dimensions

H [mm]	9
W2 [mm]	5.5

Wide Miniature Block Four Mounting Holes (Runner Block)Details

Size [mm]	7
-----------	---

(Runner Block)Dimensions

W [mm]	25
L [mm]	31.6
L1 [mm]	21.2
h2 [mm]	7.2
P1 [mm]	10
P2 [mm]	19
M × g2	M3 × 3
Ø [mm]	1.1
S [mm]	1.9
T [mm]	3.2

(Runner Block)Forces and Torques

Basic Load Ratings C [N]	1180
Basic Load Ratings C0 [N]	2095
Static Moment Ratings-Ma [N-m]	7.3
Static Moment Ratings-Mb [N-m]	7.3
Static Moment Ratings-Mc [N-m]	15.0

(Runner Block)Weight

Weight-Block [g]	19
------------------	----

Wide Miniature Rail Top Mount Single Row (Top Mount Rail)Details

Size [mm]	7
-----------	---

(Top Mount Rail)Dimensions

H [mm]	9
W1 [mm]	14
H1 [mm]	5.2
P [mm]	30
D [mm]	5
d1 [mm]	3.5
g1 [mm]	3.5

(Top Mount Rail)Weight

Weights-Rail [g/m]	516.0
--------------------	-------

Wide Miniature Rail Bottom Tapped Mount Single Row (Bottom Mount Rail)Details

Size [mm]	7
-----------	---

(Bottom Mount Rail)Dimensions

H1 [mm]	7.5
W1 [mm]	18
P [mm]	30
M1	M4 x 0.7

(Bottom Mount Rail)Weight

Weights-Rail [g/m]	516.0
--------------------	-------