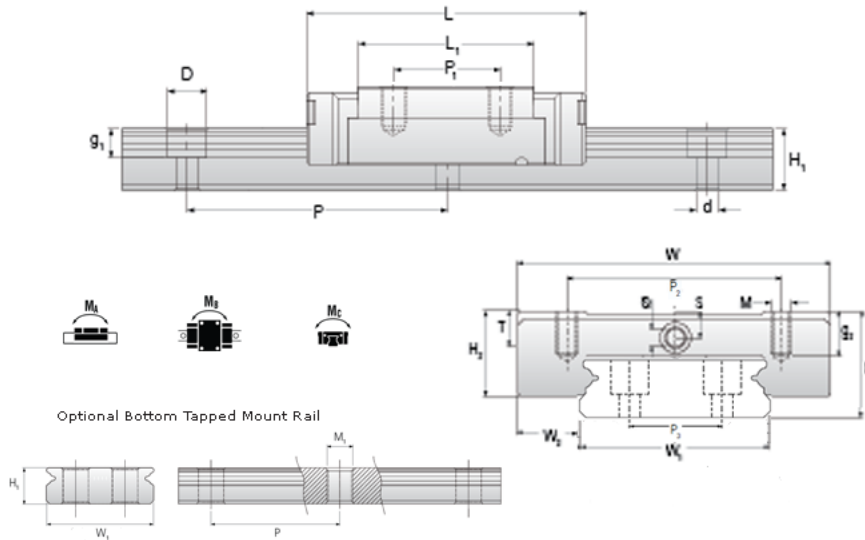
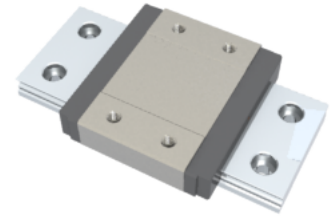


NMR 15WN SU Assembly

Call 800-321-7800 or visit us online at www.nookindustries.com to configure and order your NMR 15WN SU Assembly today!



Optional Bottom Tapped Mount Rail

| | |
|--|----------|
| Dimensions | |
| H [mm] | 16 |
| W2 [mm] | 9 |
| Wide Miniature Block Four Mounting Holes (Runner Block)Details | |
| Size [mm] | 15 |
| (Runner Block)Dimensions | |
| W [mm] | 60 |
| L [mm] | 55.3 |
| L1 [mm] | 38.5 |
| h2 [mm] | 12.3 |
| P1 [mm] | 20 |
| P2 [mm] | 45 |
| M × g2 | M4 × 4.5 |
| Ø [mm] | 1.8 |
| S [mm] | 3.3 |
| T [mm] | 4.5 |
| (Runner Block)Forces and Torques | |
| Basic Load Ratings C [N] | 5065 |
| Basic Load Ratings C0 [N] | 8385 |
| Static Moment Ratings-Ma [N-m] | 45.7 |
| Static Moment Ratings-Mb [N-m] | 45.7 |
| Static Moment Ratings-Mc [N-m] | 171.7 |
| (Runner Block)Weight | |
| Weight-Block [g] | 137 |
| Wide Miniature Rail Top Mount Double Row (Top Mount Rail)Details | |
| Size [mm] | 15 |
| (Top Mount Rail)Dimensions | |
| H [mm] | 16 |
| W1 [mm] | 42 |
| H1 [mm] | 9.5 |
| P [mm] | 40 |
| P3 [mm] | 23 |
| D [mm] | 8 |
| d1 [mm] | 4.5 |
| g1 [mm] | 4.5 |
| (Top Mount Rail)Weight | |
| Weights-Rail [g/m] | 2818.0 |
| Wide Miniature Rail Bottom Tapped Mount Double Row (Bottom Mount Rail)Details | |
| Size [mm] | 15 |
| (Bottom Mount Rail)Dimensions | |
| H1 [mm] | 9.5 |
| W1 [mm] | 42 |
| P [mm] | 40 |
| P3 [mm] | 23 |
| M1 | M5 x 0.8 |

