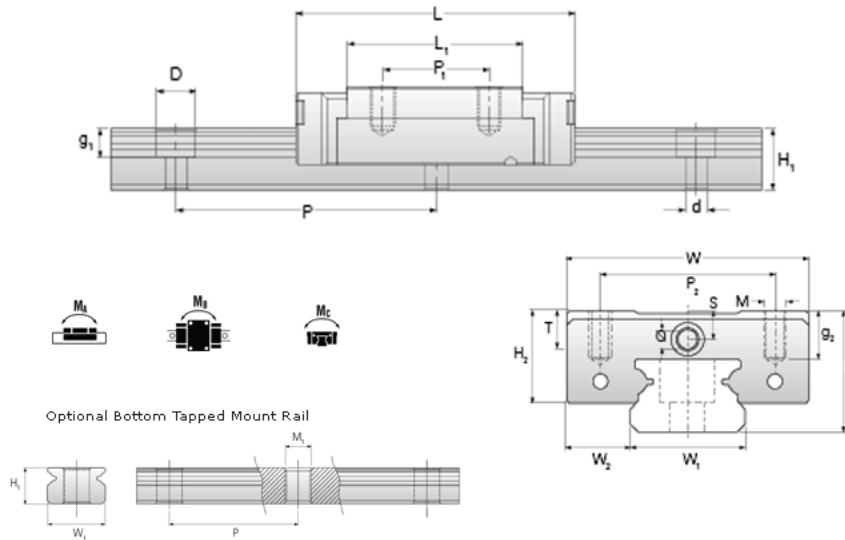
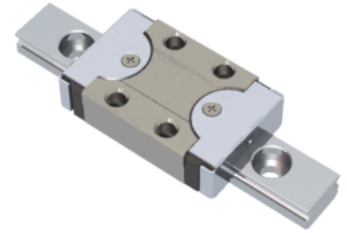
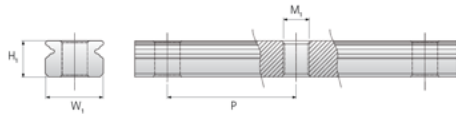


NMR 9MN ZUE Assembly

Call 800-321-7800 or visit us online at www.nookindustries.com to configure and order your NMR 9MN ZUE Assembly today!



Optional Bottom Tapped Mount Rail



Dimensions

| | |
|---------|-----|
| H [mm] | 10 |
| W2 [mm] | 5.5 |

Standard Miniature Block Four Mounting Holes (Runner Block)Details

| | |
|-----------|---|
| Size [mm] | 9 |
|-----------|---|

(Runner Block)Dimensions

| | |
|---------|----------|
| W [mm] | 20 |
| L [mm] | 31.6 |
| L1 [mm] | 20.5 |
| h2 [mm] | 8.5 |
| P1 [mm] | 10 |
| P2 [mm] | 15 |
| M × g2 | M3 × 3.0 |
| Ø [mm] | 1.3 |
| S [mm] | 2.2 |
| T [mm] | 3.3 |

(Runner Block)Forces and Torques

| | |
|--------------------------------|------|
| Basic Load Ratings C [N] | 1570 |
| Basic Load Ratings C0 [N] | 2495 |
| Static Moment Ratings-Ma [N-m] | 6.4 |
| Static Moment Ratings-Mb [N-m] | 6.4 |
| Static Moment Ratings-Mc [N-m] | 11.7 |

(Runner Block)Weight

| | |
|------------------|----|
| Weight-Block [g] | 18 |
|------------------|----|

Standard Miniature Rail Top Mount

(Top Mount Rail)Details

| | |
|-----------|---|
| Size [mm] | 9 |
|-----------|---|

(Top Mount Rail)Dimensions

| | |
|---------|-----|
| H [mm] | 10 |
| W1 [mm] | 9 |
| H1 [mm] | 5.5 |
| P [mm] | 20 |
| D [mm] | 6 |
| d1 [mm] | 3.5 |
| g1 [mm] | 3.5 |

(Top Mount Rail)Weight

| | |
|--------------------|-------|
| Weights-Rail [g/m] | 301.0 |
|--------------------|-------|

Standard Miniature Rail Bottom Tapped Mount

(Bottom Mount Rail)Details

| | |
|-----------|---|
| Size [mm] | 9 |
|-----------|---|

(Bottom Mount Rail)Dimensions

| | |
|---------|----------|
| H1 [mm] | 5.5 |
| W1 [mm] | 9 |
| P [mm] | 20 |
| M1 | M4 x 0.7 |

(Bottom Mount Rail)Weight

| | |
|--------------------|-------|
| Weights-Rail [g/m] | 301.0 |
|--------------------|-------|