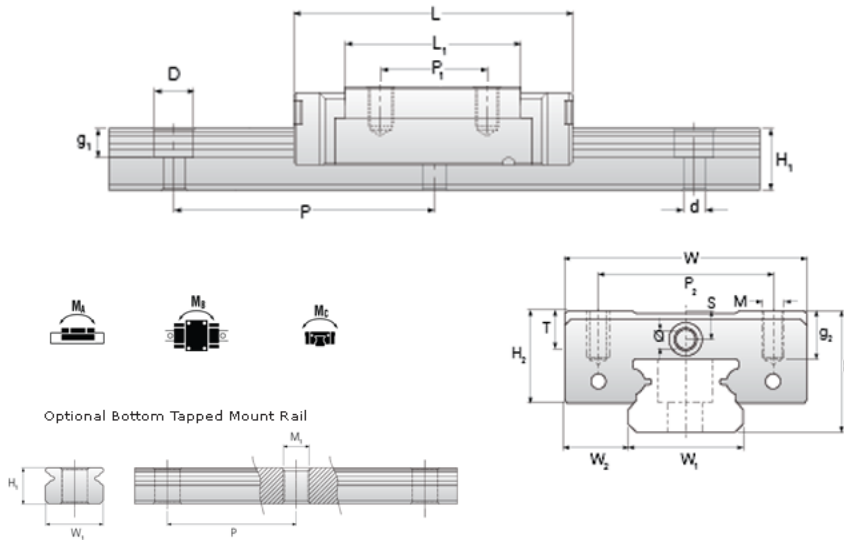
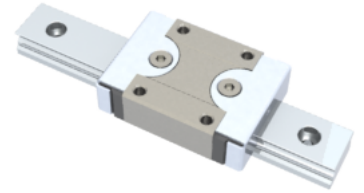


## NMR 15MN SUE Assembly

Call 800-321-7800 or visit us online at [www.nookindustries.com](http://www.nookindustries.com) to configure and order your NMR 15MN SUE Assembly today!



<b>Dimensions</b>	
H [mm]	16
W2 [mm]	8.5
<b>Standard Miniature Block Four Mounting Holes (Runner Block)Details</b>	
Size [mm]	15
<b>(Runner Block)Dimensions</b>	
W [mm]	32
L [mm]	44.6
L1 [mm]	27
h2 [mm]	13.1
P1 [mm]	20
P2 [mm]	25
M × g2	M3 × 5.5
Ø [mm]	1.8
S [mm]	3.3
T [mm]	4.3
<b>(Runner Block)Forces and Torques</b>	
Basic Load Ratings C [N]	3810
Basic Load Ratings C0 [N]	5590
Static Moment Ratings-Ma [N-m]	27.0
Static Moment Ratings-Mb [N-m]	27.0
Static Moment Ratings-Mc [N-m]	43.6
<b>(Runner Block)Weight</b>	
Weight-Block [g]	61
<b>Standard Miniature Rail Top Mount (Top Mount Rail)Details</b>	
Size [mm]	15
<b>(Top Mount Rail)Dimensions</b>	
H [mm]	16
W1 [mm]	15
H1 [mm]	9.5
P [mm]	40
D [mm]	6
d1 [mm]	3.5
g1 [mm]	4.5
<b>(Top Mount Rail)Weight</b>	
Weights-Rail [g/m]	930.0
<b>Standard Miniature Rail Bottom Tapped Mount (Bottom Mount Rail)Details</b>	
Size [mm]	15
<b>(Bottom Mount Rail)Dimensions</b>	
H1 [mm]	9.5
W1 [mm]	15
P [mm]	40
M1	M4 x 0.7
<b>(Bottom Mount Rail)Weight</b>	
Weights-Rail [g/m]	930.0