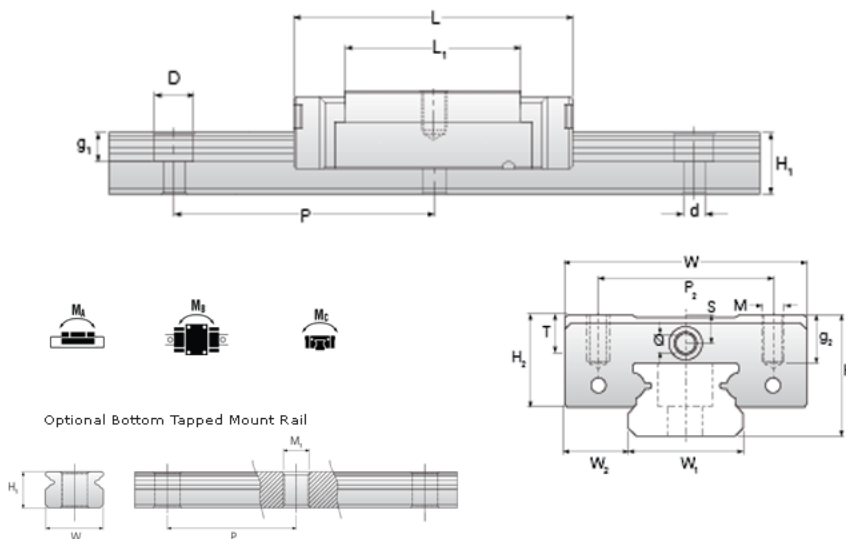
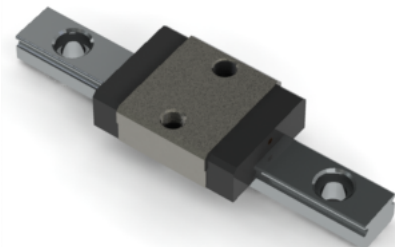


NMR 5MN ZZ Assembly

Call 800-321-7800 or visit us online at www.nookindustries.com to configure and order your NMR 5MN ZZ Assembly today!



Dimensions

H [mm]	6
W2 [mm]	3.5

Standard Miniature Block Two Perpendiculare Mounting Holes (Runner Block)Details

Size [mm]	5
-----------	---

(Runner Block)Dimensions

W [mm]	12
L [mm]	16
L1 [mm]	10
h2 [mm]	4.5
P2 [mm]	8
M × g2	M2 × 1.5
∅	0.7
S	1.3
T	2

(Runner Block)Forces and Torques

Basic Load Ratings C [N]	335
Basic Load Ratings C0 [N]	550
Static Moment Ratings-Ma [N-m]	1.0
Static Moment Ratings-Mb [N-m]	1.0
Static Moment Ratings-Mc [N-m]	1.7

(Runner Block)Weight

Weight-Block [g]	3.5
------------------	-----

Standard Miniature Rail Top Mount

(Top Mount Rail)Details

Size [mm]	5
-----------	---

(Top Mount Rail)Dimensions

H [mm]	6
W1 [mm]	5
H1 [mm]	3.5
P [mm]	15
D [mm]	3.5
d1 [mm]	2.4
g1 [mm]	1

(Top Mount Rail)Weight

Weights-Rail [g/m]	116.0
--------------------	-------

Standard Miniature Rail Bottom Tapped Mount

(Bottom Mount Rail)Details

Size [mm]	5
-----------	---

(Bottom Mount Rail)Dimensions

H1 [mm]	3.5
W1 [mm]	5
P [mm]	15
M1	M3 × .05

(Bottom Mount Rail)Weight

Weights-Rail [g/m]	
--------------------	--