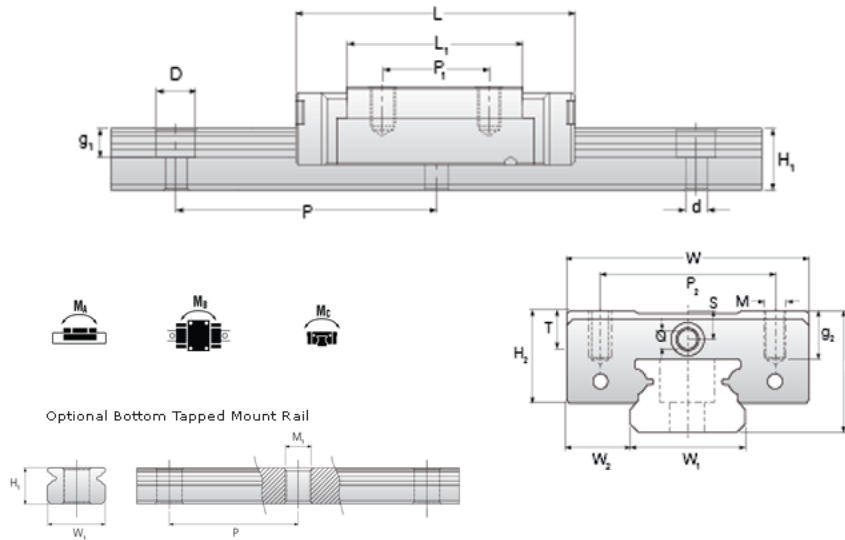
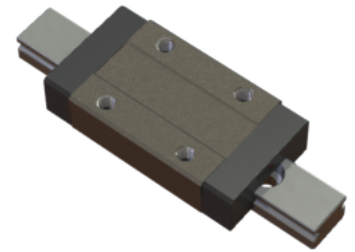


NMR 7ML ZU Assembly

Call 800-321-7800 or visit us online at www.nookindustries.com to configure and order your NMR 7ML ZU Assembly today!



Dimensions	
H [mm]	8
W2 [mm]	5
Standard Miniature Block Four Mounting Holes (Runner Block)Details	
Size [mm]	7
(Runner Block)Dimensions	
W [mm]	17
L [mm]	31.2
L1 [mm]	21.8
h2 [mm]	6.7
P1 [mm]	13
P2 [mm]	12
M × g2	M2 × 2.5
Ø [mm]	1.1
S [mm]	1.6
T [mm]	2.8
(Runner Block)Forces and Torques	
Basic Load Ratings C [N]	1310
Basic Load Ratings C0 [N]	2440
Static Moment Ratings-Ma [N-m]	7.7
Static Moment Ratings-Mb [N-m]	7.7
Static Moment Ratings-Mc [N-m]	9.0
(Runner Block)Weight	
Weight-Block [g]	14
Standard Miniature Rail Top Mount (Top Mount Rail)Details	
Size [mm]	7
(Top Mount Rail)Dimensions	
H [mm]	8
W1 [mm]	7
H1 [mm]	4.7
P [mm]	15
D [mm]	4.2
d1 [mm]	2.4
g1 [mm]	2.3
(Top Mount Rail)Weight	
Weights-Rail [g/m]	215.0
Standard Miniature Rail Bottom Tapped Mount (Bottom Mount Rail)Details	
Size [mm]	7
(Bottom Mount Rail)Dimensions	
H1 [mm]	4.7
W1 [mm]	7
P [mm]	15
M1	M3 × .05
(Bottom Mount Rail)Weight	
Weights-Rail [g/m]	215.0