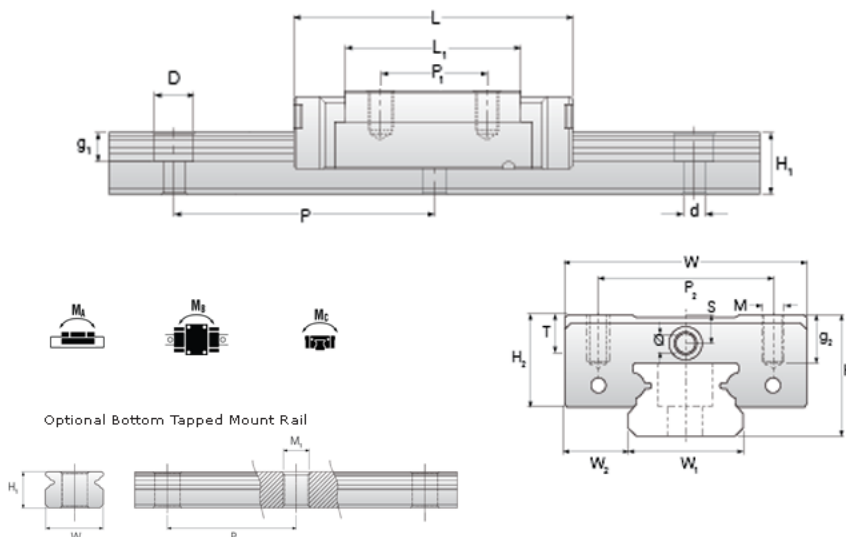
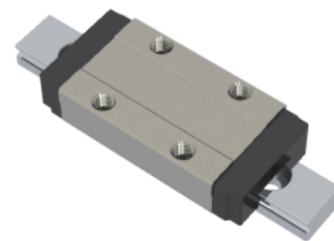


## NMR 9ML SU Assembly

Call 800-321-7800 or visit us online at [www.nookindustries.com](http://www.nookindustries.com) to configure and order your NMR 9ML SU Assembly today!



### Dimensions

H [mm]	10
W2 [mm]	5.5

### Standard Miniature Block Four Mounting Holes (Runner Block)Details

Size [mm]	9
-----------	---

### (Runner Block)Dimensions

W [mm]	20
L [mm]	40.9
L1 [mm]	30.8
h2 [mm]	8
P1 [mm]	16
P2 [mm]	15
M × g2	M3 × 3.0
Ø [mm]	1.3
S [mm]	2.2
T [mm]	3.3

### (Runner Block)Forces and Torques

Basic Load Ratings C [N]	2135
Basic Load Ratings C0 [N]	3880
Static Moment Ratings-Ma [N-m]	12.4
Static Moment Ratings-Mb [N-m]	12.4
Static Moment Ratings-Mc [N-m]	18.2

### (Runner Block)Weight

Weight-Block [g]	28
------------------	----

### Standard Miniature Rail Top Mount

#### (Top Mount Rail)Details

Size [mm]	9
-----------	---

#### (Top Mount Rail)Dimensions

H [mm]	10
W1 [mm]	9
H1 [mm]	5.5
P [mm]	20
D [mm]	6
d1 [mm]	3.5
g1 [mm]	3.5

#### (Top Mount Rail)Weight

Weights-Rail [g/m]	301.0
--------------------	-------

### Standard Miniature Rail Bottom Tapped Mount

#### (Bottom Mount Rail)Details

Size [mm]	9
-----------	---

#### (Bottom Mount Rail)Dimensions

H1 [mm]	5.5
W1 [mm]	9
P [mm]	20
M1	M4 x 0.7

#### (Bottom Mount Rail)Weight

Weights-Rail [g/m]	301.0
--------------------	-------