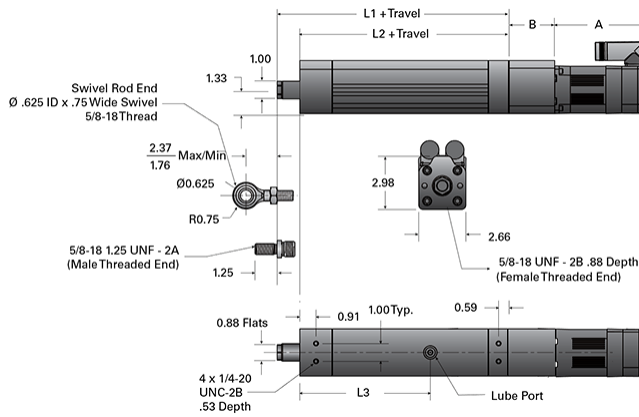


PA05-I 070-RA V

Call 800-321-7800 or visit us online at www.nookindustries.com to configure and order your PA05-I 070-RA V today!



Details

Screw	3/4-10 RA
Screw Lead [in]	0.100

Performance Specifications

Lead Accuracy +/- [in/in]	0.0036
Efficiency [%]	25
Max Capacity [lb]	1000

Dimensions

L1 + Travel [in]	9.05
L2 + Travel [in]	7.78
A (w/out Reducer, No Brake) [in]	5.42
A (w/out Reducer, Brake) [in]	6.96
A (w/Reducer, No Brake) [in]	8.09
A (w/Reducer, Brake) [in]	9.62
B (w/out Reducer) [in]	2.44
B (w/Reducer) [in]	2.91