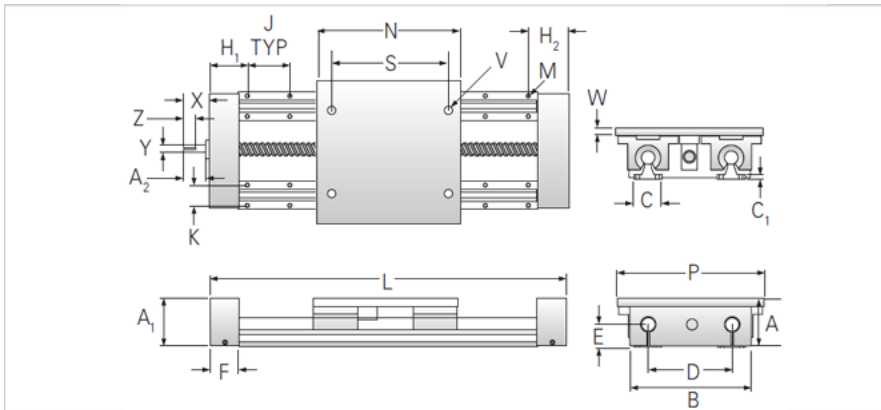
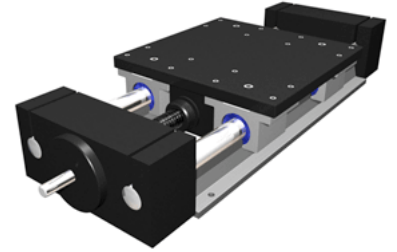


## 252-12-LXX/0750-0500 SRT RA

Call 800-321-7800 or visit us online at [www.nookindustries.com](http://www.nookindustries.com) to configure and order your 252-12-LXX/0750-0500 SRT RA today!



### Product Info

Nominal Shaft Diameter [in]	0.75
Screw Type	Ball
Screw Size	0750-0500 SRT

### Dimensions

A +/-0.003 [in]	2.938
A1 [in]	2.75
B [in]	6.00
C [in]	1.75
C1 [in]	0.25
D [in]	4.50
E [in]	1.50
F [in]	2.0
H [in]	3.00
J +/-0.010 [in]	6.000
K +/-0.010 [in]	1.250
M - Bolt	#10
M - Hole [in]	0.22
N [in]	7.50
P [in]	7.50
S [in]	6.00
U [in]	4.50
V	5/16-18
W [in]	0.50
Minimum L Dimension TRAVEL + [in]	11.5
X [in]	1.50
Y [in]	0.500
Z	.81 x .140
A2 [in]	1.020

### Performance specifications

Load Maximum System [lbf]	2040
---------------------------	------