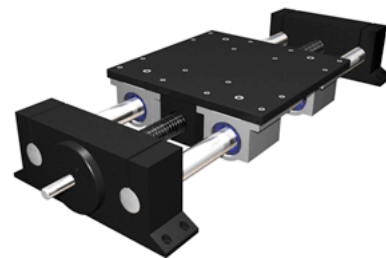
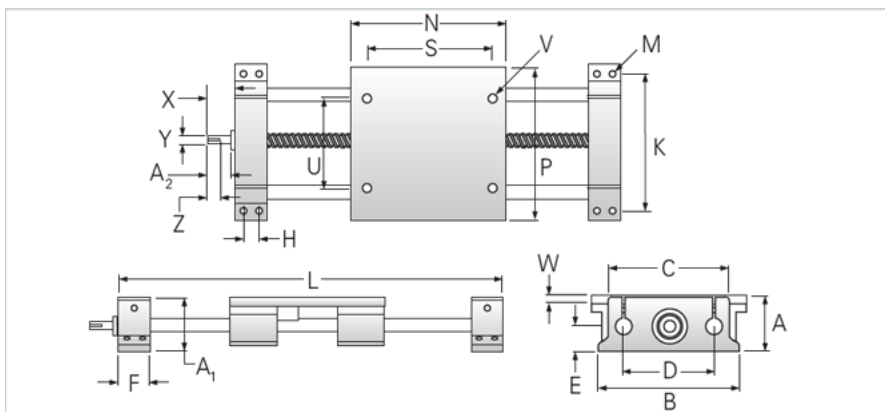


212-24-LXX/1500-0500 SRT RA

Call 800-321-7800 or visit us online at www.nookindustries.com to configure and order your 212-24-LXX/1500-0500 SRT RA today!



Product Info

| | |
|-----------------------------|---------------|
| Nominal Shaft Diameter [in] | 1.50 |
| Screw Type | Ball |
| Screw Size | 1500-0500 SRT |

Dimensions

| | |
|-----------------------------------|-------------|
| A +/-0.003 [in] | 5.000 |
| A1 [in] | 4.97 |
| B [in] | 13.00 |
| C [in] | 10.75 |
| D [in] | 8.00 |
| E [in] | 2.50 |
| F [in] | 2.80 |
| H +/-0.010 [in] | 1.500 |
| K +/-0.010 [in] | 12.000 |
| M - Bolt | 5/16 |
| M - Hole [in] | 0.34 |
| N [in] | 13.00 |
| P [in] | 13.00 |
| S [in] | 10.00 |
| U [in] | 8.00 |
| V | 1/2-13 |
| W [in] | 0.75 |
| Minimum L Dimension TRAVEL + [in] | 18.6 |
| X [in] | 2.32 |
| Y [in] | 0.750 |
| Z | 1.14 x .188 |
| A2 [in] | 1.657 |

Performance specifications

| | |
|---------------------------|------|
| Load Maximum System [lbf] | 5504 |
|---------------------------|------|