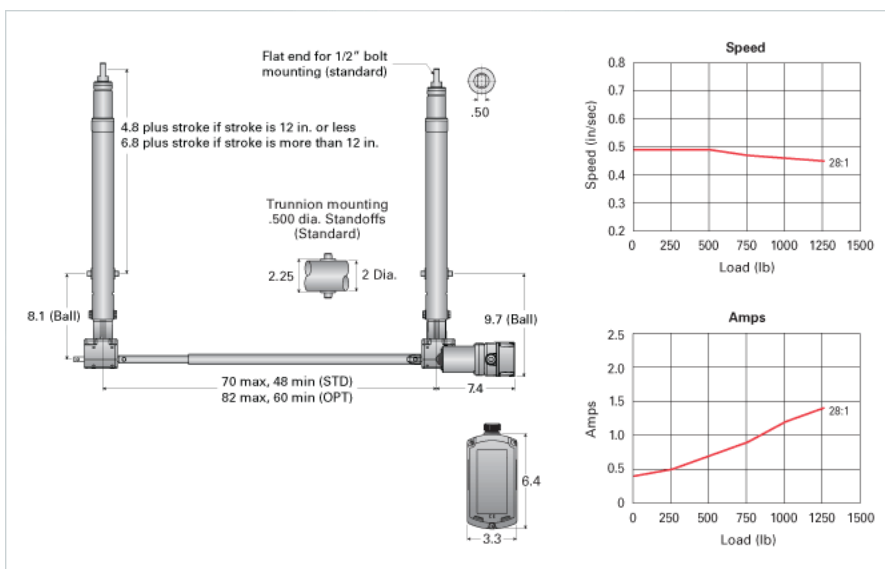


CCU28-HD D

Call 800-321-7800 or visit us online at www.nookindustries.com to configure and order your CCU28-HD D today!



Product Info

Screw Type

Ball Screw

Details

Screw Size

0631-0200 SRT RA

Voltage

90 VDC

Gear Ratio

28:1

Load Capacity [lb]

1250

Speed [in/sec]

0.45

Amps

1.5

Maximum Cylinder Width [in]

70

Minimum Cylinder Width [in]

48

Performance Specifications

Duty Cycle [% of 5 Minutes]

25

Protection Class

IP54

Maximum Temperature Range [F°]

160

Minimum Temperature Range [F°]

-30