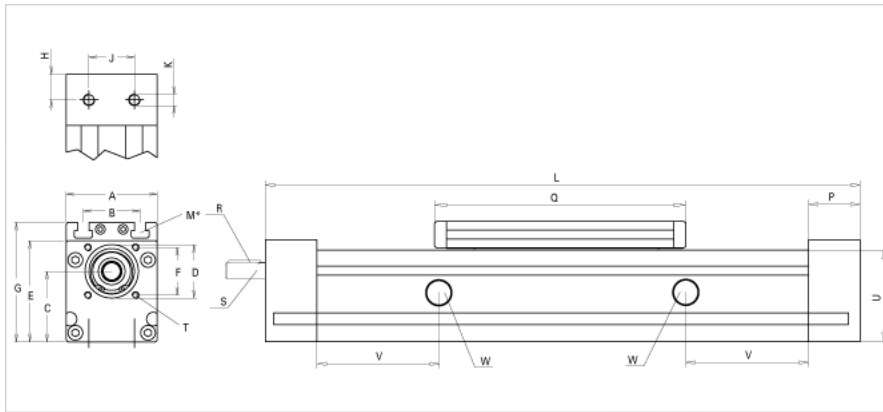


QSKE 60

Call 800-321-7800 or visit us online at www.nookindustries.com to configure and order your QSKE 60 today!



Details

Size	60
Screw Options	16x5/16x10/16x16
Screw Type	Ball Screw

Dimensions

Basic Length L [mm]	270
A [mm]	61
B [mm]	36
C [mm]	45.5
D [mm]	37
E [mm]	67.5
F [mm]	32
G [mm]	80
H [mm]	19
J [mm]	18
K	M6
N	M6
P [mm]	38
Q [mm]	188
Shaft R Key [mm]	3x3x25
Shaft S Diameter x Length [mm]	10h6x27
T	M5
U [mm]	61

Forces and Torques

F _x [N] 10000 km	800
F _y [N] 10000 km	1010
F _z [N] 10000 km	2510
M _x [Nm] 10000 km	23
M _y [Nm] 10000 km	143
M _z [Nm] 10000 km	125
F _x [N] 5000 km	900
F _y [N] 5000 km	1415
F _z [N] 5000 km	3525
M _x [Nm] 5000 km	33
M _y [Nm] 5000 km	190
M _z [Nm] 5000 km	176

Geometrical moments of inertia of aluminum profile

Elastic modulus [N/mm ²]	70000
I _x [mm ⁴]	430000
I _y [mm ⁴]	480000

Weight

Weight Per 100 mm [kg]	0.5
Basic Weight [kg]	4.1