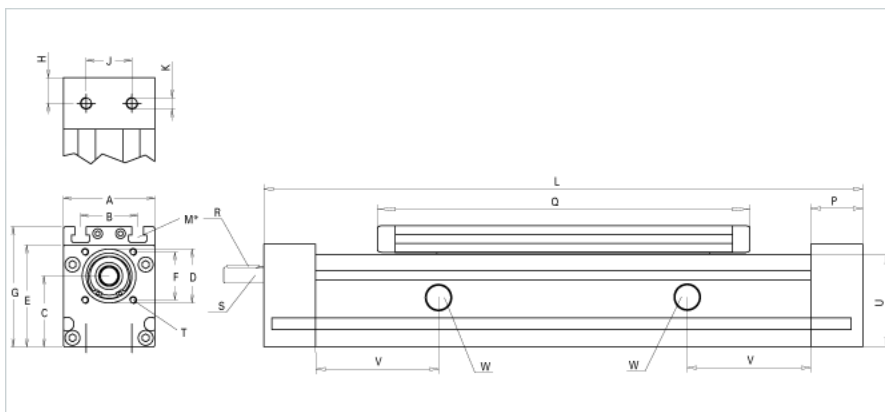
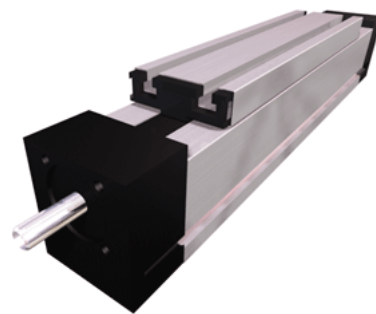


QSTE 100 Extended Carriage

Call 800-321-7800 or visit us online at www.nookindustries.com to configure and order your QSTE 100 Extended Carriage today!



| Details | |
|--|-------------|
| Size | 100 |
| Screw Options | 32x6/32x12 |
| Screw Type | Trapexoidal |
| Dimensions | |
| Basic Length L [mm] | 510 |
| A [mm] | 101 |
| B [mm] | 66 |
| C [mm] | 75.5 |
| D [mm] | 68 |
| E [mm] | 112.5 |
| F [mm] | 60 |
| G [mm] | 130 |
| H [mm] | 28.5 |
| J [mm] | 50 |
| K | M10 |
| N | M10 |
| P [mm] | 57 |
| Q [mm] | 383 |
| Shaft R Key [mm] | 6x6x40 |
| Shaft S Diameter x Length [mm] | 22h6x45 |
| T | M8 |
| U [mm] | 101 |
| Forces and Torques | |
| Fx [N] 10000 km | 4000 |
| Fy [N] 10000 km | 2910 |
| Fz [N] 10000 km | 7360 |
| Mx [Nm] 10000 km | 101 |
| My [Nm] 10000 km | 597 |
| Mz [Nm] 10000 km | 532 |
| Fx [N] 5000 km | 5000 |
| Fy [N] 5000 km | 4082 |
| Fz [N] 5000 km | 10300 |
| Mx [Nm] 5000 km | 142 |
| My [Nm] 5000 km | 838 |
| Mz [Nm] 5000 km | 745 |
| Geometrical moments of inertia of aluminum profile | |
| Elastic modulus [N/mm ²] | 70000 |
| Ix [mm ⁴] | 4300000 |
| Iy [mm ⁴] | 4880000 |
| Weight | |
| Weight Per 100 mm [kg] | 1.3 |
| Basic Weight [kg] | 14.8 |