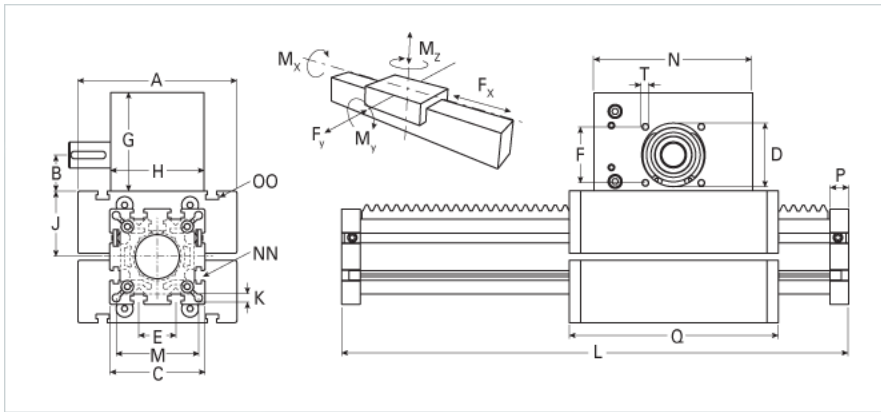
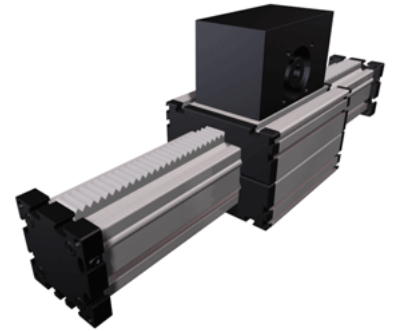


## ELZA 60S WAC

Call 800-321-7800 or visit us online at [www.nookindustries.com](http://www.nookindustries.com) to configure and order your ELZA 60S WAC today!



| <b>Details</b>  |        |
|---|--------|
| Size  | 60S    |
| <b>Dimensions</b>   |        |
| Basic Length L [mm]                                       | 251    |
| A [mm]  | 170    |
| B [mm]  | 28.0   |
| C [mm]  | 82     |
| D [mm]  | 47     |
| E [mm]  | 30     |
| F [mm]  | 42     |
| G [mm]  | 75     |
| H [mm]  | 63     |
| I [mm]  | -      |
| J [mm]  | 53     |
| K [mm]  | 8.5    |
| M [mm]  | 69     |
| MM  | -      |
| N [mm]  | 130    |
| NN  | M8     |
| OO  | M8     |
| P [mm]  | 16     |
| Q [mm]  | 214    |
| T   | M6     |
| X [mm]  | 10     |
| <b>Speed</b>  |        |
| Speed Maximum [m/s]                                       | 2.5    |
| <b>Forces and Torques</b>                                 |        |
| Fx dynamic [N]  | 1200   |
| Fy dynamic [N]  | 3100   |
| Fz dynamic [N]  | 1600   |
| Mx dynamic [Nm]   | 65     |
| My dynamic [Nm]   | 140    |
| Mz dynamic [Nm]   | 170    |
| Fx static [N]   | 1500   |
| Fy static [N]   | 4100   |
| Fz static [N]   | 2160   |
| Mx static [Nm]  | 88     |
| My static [Nm]  | 190    |
| Mz static [Nm]  | 230    |
| <b>Geometrical moments of inertia of aluminum profile</b> |        |
| Elastic modulus [N/mm <sup>2</sup> ]                      | 70000  |
| Ix [mm <sup>4</sup> ]                                     | 679000 |
| Iy [mm <sup>4</sup> ]                                     | 697000 |
| <b>Weight</b>   |        |
| Additional Weight per 100 mm [kg]                         | 0.68   |
| Basic Weight [kg]   | 6.3    |