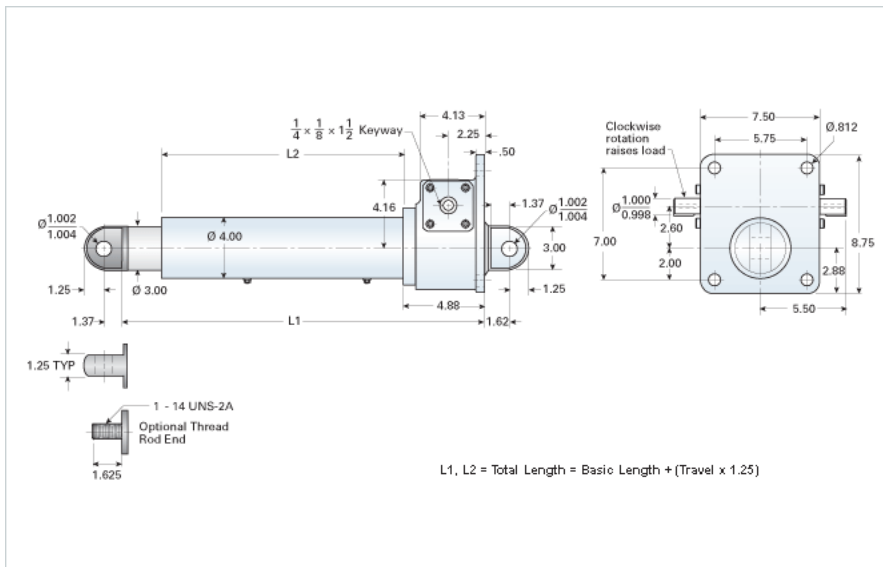


DD-1008-A4

Call 800-321-7800 or visit us online at www.nookindustries.com to configure and order your DD-1008-A4 today!



Details

Gear Ratio	8:1
Max Capacity [lb]	20000
Input Turns Per Inch Of Travel	32
Torque To Raise 1 lb. [in-lb]	0.0314
Acme Screw	2-4 RA
Screw Lead [in]	0.250
Root Diameter [in]	1.694
Max HP [hp]	5

Weight

Basic Weight [lb]	77
Per Inch of Travel [lb]	2.50

Tube Dimensions

L1 Basic Length [in]	12.88
L2 Basic Length [in]	6.50

NEMA 42 Dimensions

L3 [in]	-
E [in]	-
F [in]	-

NEMA 48 Dimensions

L3 [in]	-
E [in]	-
F [in]	-

NEMA 56C Dimensions

L3 [in]	8.25
E [in]	6.75
F [in]	4.38

NEMA 182TC Dimensions

L3 [in]	9.00
E [in]	9.25
F [in]	4.38

NEMA 184TC Dimensions

L3 [in]	-
E [in]	-
F [in]	-

NEMA 213TC Dimensions

L3 [in]	-
E [in]	-
F [in]	-