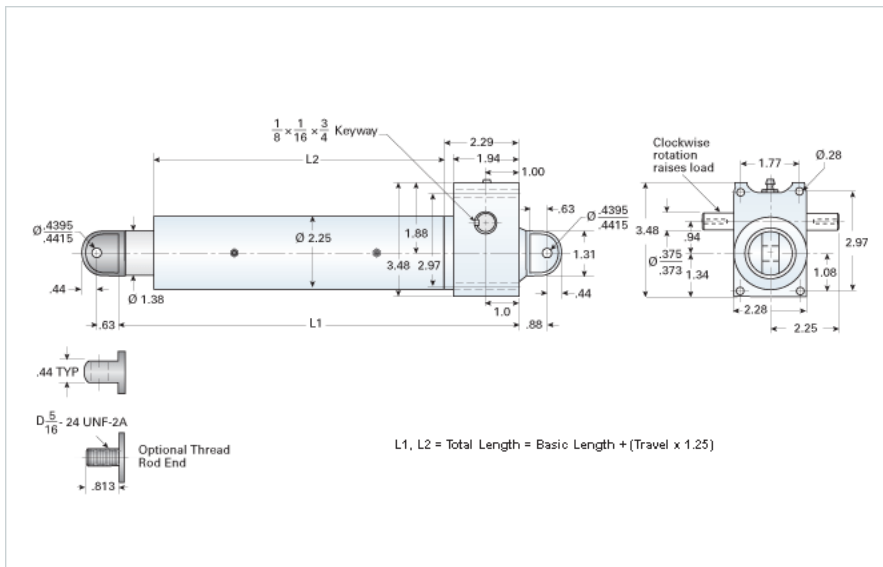


DD-520-HL

Call 800-321-7800 or visit us online at www.nookindustries.com to configure and order your DD-520-HL today!



Details

Gear Ratio	20:1
Max Capacity [lb]	1000
Input Turns Per Inch Of Travel	40
Torque To Raise 1 lb. [in-lb]	0.0102
Ball Screw	0631-0500 SRT RA
Screw Lead [in]	0.500
Root Diameter [in]	0.500
Max HP [hp]	0.16

Weight

Basic Weight [lb]	12
Per Inch of Travel [lb]	0.65

Tube Dimensions

L1 Basic Length [in]	8.06
L2 Basic Length [in]	5.00

NEMA 42 Dimensions

L3 [in]	4.48
E [in]	4.63
F [in]	2.69

NEMA 48 Dimensions

L3 [in]	4.48
E [in]	4.63
F [in]	3.12

NEMA 56C Dimensions

L3 [in]	-
E [in]	-
F [in]	-

NEMA 182TC Dimensions

L3 [in]	-
E [in]	-

NEMA 182TC/18TCc Dimensions

F [in]	-
--------	---

NEMA 184TC Dimensions

L3 [in]	-
E [in]	-
F [in]	-

NEMA 213TC Dimensions

L3 [in]	-
E [in]	-
F [in]	-