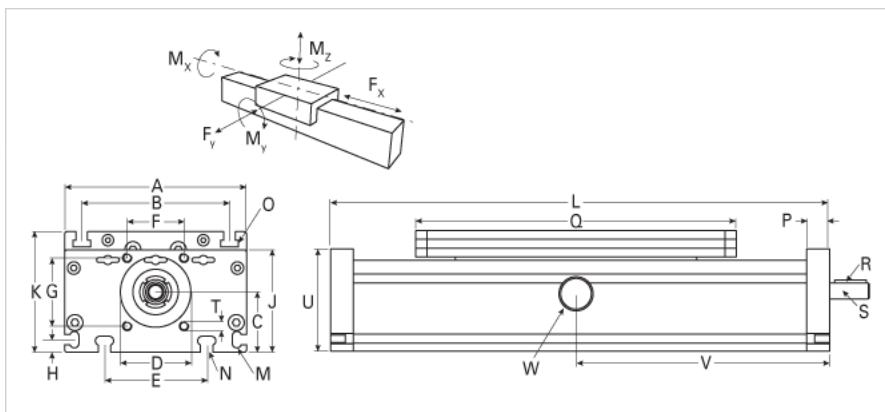


DLK 120 Extended Carriage 6 Split Rollers

Call 800-321-7800 or visit us online at www.nookindustries.com to configure and order your DLK 120 Extended Carriage 6 Split Rollers today!



| Details | |
|--|-----------------------------------|
| Size | 120 |
| Screw Options | 16x5/16x10/16x16/20x20/25x5/25x10 |
| Screw Type | Ball Screw |
| Dimensions | |
| Basic Length L [mm] | 280 |
| A [mm] | 120 |
| B [mm] | 96 |
| C [mm] | 39 |
| D [mm] | 47 |
| E [mm] | 78 |
| F [mm] | 42 |
| H [mm] | 10 |
| J [mm] | 68 |
| K [mm] | 79 |
| M | M 5 |
| N | M 6 |
| O | M 6 |
| P [mm] | 15 |
| Q [mm] | 236 |
| Shaft R Key [mm] | 3x3x25 |
| Shaft S Diameter x Length [mm] | 10 h6 x 27 |
| T | M 6 |
| Forces and Torques | |
| No Load Torque-Dynamic | 0.9 |
| Fx dynamic [N] | 800 |
| Fy dynamic [N] | 900 |
| Fz dynamic [N] | 1000 |
| Mx dynamic [Nm] | 125 |
| My dynamic [Nm] | 120 |
| Mz dynamic [Nm] | 90 |
| Fx static [N] | 900 |
| Fy static [N] | 1100 |
| Fz static [N] | 1250 |
| Mx static [Nm] | 150 |
| My static [Nm] | 140 |
| Mz static [Nm] | 100 |
| Geometrical moments of inertia of aluminum profile | |
| Elastic modulus [N/mm ²] | 70000 |
| Ix [mm ⁴] | 660000 |
| Iy [mm ⁴] | 3860000 |
| Weight | |
| Additional Weight per 100 mm [kg] | 0.92 |
| Basic Weight [kg] | 3.9 |