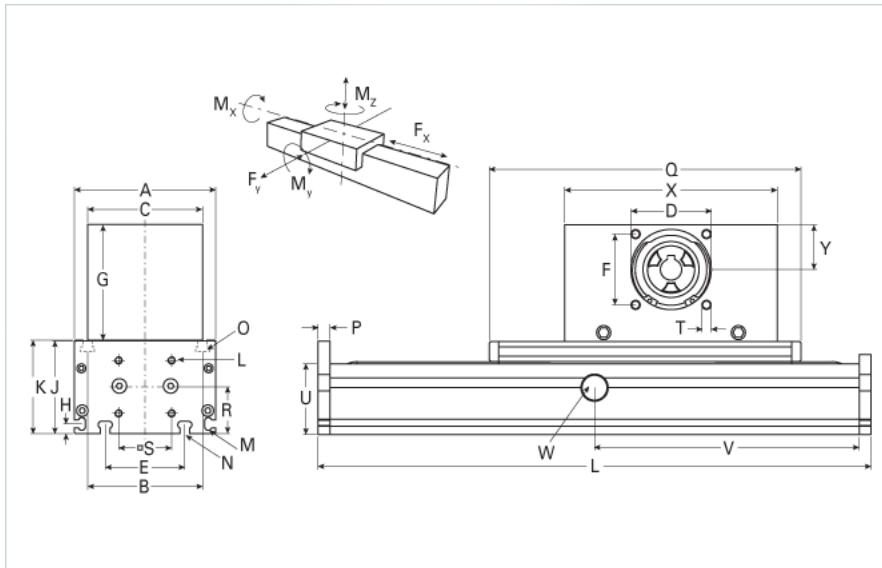
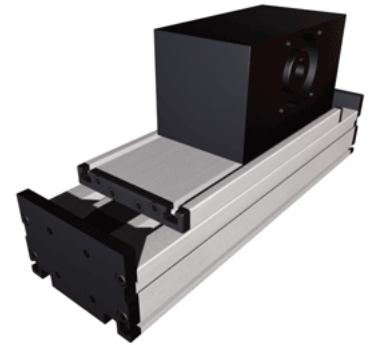


## DLSZ 120 Extended Carriage 8 Split Rollers

Call 800-321-7800 or visit us online at [www.nookindustries.com](http://www.nookindustries.com) to configure and order your DLSZ 120 Extended Carriage 8 Split Rollers today!



### Details

|                     |      |
|---------------------|------|
| Size                | 120  |
| Belt                | 8M30 |
| mm/Rev              | 192  |
| Number of Teeth     | 24   |
| Pully Diameter [mm] | 61.1 |

### Dimensions

|                                |         |
|--------------------------------|---------|
| Basic Length L [mm]            | 390     |
| A [mm]                         | 120     |
| B [mm]                         | 96      |
| C [mm]                         | 100     |
| D [mm]                         | 68      |
| E [mm]                         | 78      |
| F [mm]                         | 60      |
| G [mm]                         | 100     |
| H [mm]                         | 10      |
| J [mm]                         | 78      |
| K [mm]                         | 79      |
| M                              | M5      |
| N                              | M6      |
| O                              | M6      |
| P [mm]                         | 10      |
| Q [mm]                         | 360     |
| R [mm]                         | 39      |
| S [mm]                         | 42      |
| T                              | M8      |
| U [mm]                         | 60      |
| X [mm]                         | 180     |
| Y [mm]                         | 39      |
| Shaft Diameter and Length [mm] | 18 x 45 |
| Key                            | 6x6x40  |

### Speed

|                     |   |
|---------------------|---|
| Speed Maximum [m/s] | 4 |
|---------------------|---|

### Forces and Torques

|                             |      |
|-----------------------------|------|
| No-load torque [Nm]         | 1.1  |
| Tensile force 0.2 sec [N]   | 2090 |
| Tensile force permanent [N] | 1900 |
| Fx dynamic [N]              | 1800 |
| Fy dynamic [N]              | 900  |
| Fz dynamic [N]              | 1000 |
| Mx dynamic [Nm]             | 125  |
| My dynamic [Nm]             | 120  |
| Mz dynamic [Nm]             | 90   |
| Fx static [N]               | 1900 |
| Fy static [N]               | 1100 |
| Fz static [N]               | 1250 |
| Mx static [Nm]              | 150  |
| My static [Nm]              | 140  |

|   |         |
|---|---------|
| Mz static [Nm]  | 100     |
| <b>Geometrical moments of inertia of aluminum profile</b> |         |
| Elastic modulus [N/mm <sup>2</sup> ]                      | 70000   |
| Ix [mm <sup>4</sup> ]                                     | 660000  |
| Iy [mm <sup>4</sup> ]                                     | 3860000 |
| <b>Weight</b>   |         |
| Additional Weight per 100 mm [kg] [.00}                   | 1.2     |
| Basic Weight [kg]   | 12.0    |