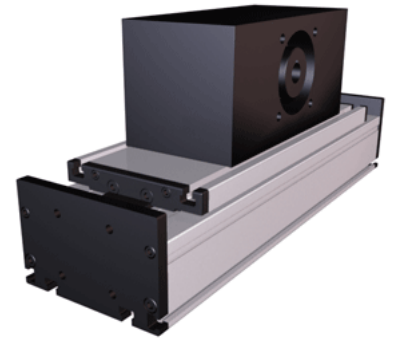
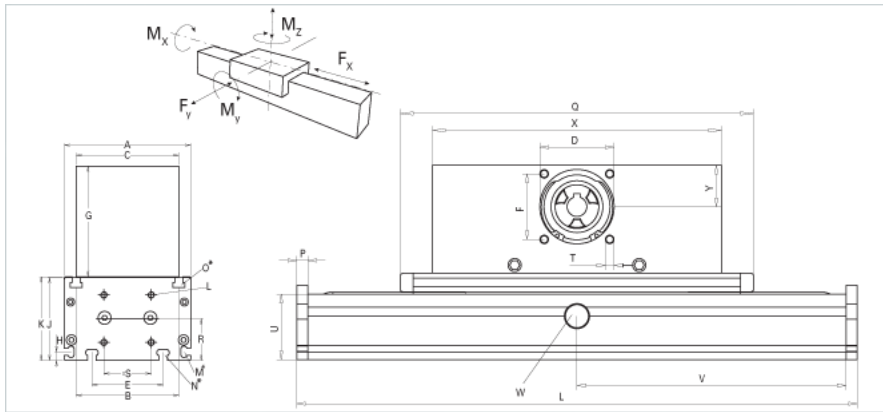


## DSSZ 200 Extended Carriage

Call 800-321-7800 or visit us online at [www.nookindustries.com](http://www.nookindustries.com) to configure and order your DSSZ 200 Extended Carriage today!



### Details

Size	200
Belt	8M70
mm/Rev	304
Number of Teeth	38
Pully Diameter [mm]	96.8

### Dimensions

Basic Length L [mm]	-
A [mm]	200
B [mm]	160
C [mm]	160
D [mm]	110
E [mm]	140
F [mm]	100
G [mm]	145
H [mm]	15
J [mm]	128
K [mm]	129
L [mm]	M10
M	M8
N	M10
O	M10
P [mm]	15
Q [mm]	-
R [mm]	62.5
S [mm]	95
T	M10
U [mm]	100
X [mm]	310
Y [mm]	62
Shaft Diameter and Length [mm]	30 x 55
Key	8x7x40

### Speed

Speed Maximum [m/s]	5
---------------------	---

### Forces and Torques

Fx [N] 10000 km	5750
Fy [N] 10000 km	11080
Fz [N] 10000 km	14600
Mx [Nm] 10000 km	915
My [Nm] 10000 km	960
Mz [Nm] 10000 km	960
Fx [N] 5000 km	5900
Fy [N] 5000 km	15600
Fz [N] 5000 km	14600
Mx [Nm] 5000 km	1285
My [Nm] 5000 km	1375
Mz [Nm] 5000 km	1345
No-load torque [Nm]	2.2
Tensile force 0.2 sec [N]	6350
Tensile force permanent [N]	5900

### Geometrical moments of inertia of aluminum profile

Elastic modulus [N/mm <sup>2</sup> ]	70000
Ix [mm <sup>4</sup> ]	4807000
Iy [mm <sup>4</sup> ]	25999000

**Weight**

Additional Weight per 100 mm [kg]

2.60

Basic Weight [kg]

53.0