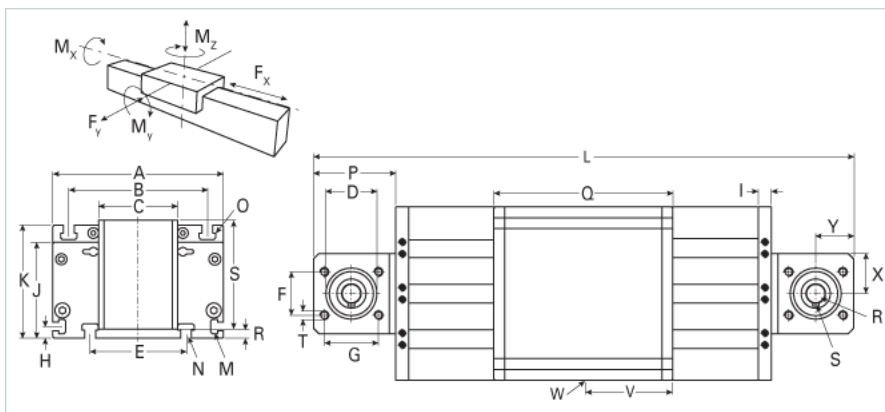
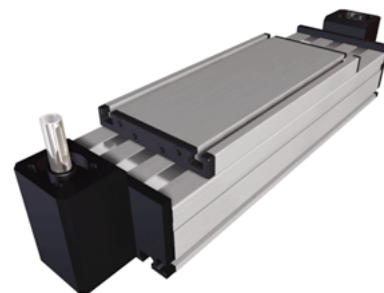


DLVZ 160 Extended Carriage

Call 800-321-7800 or visit us online at www.nookindustries.com to configure and order your DLVZ 160 Extended Carriage today!



Details	
Size	160
Belt	5M25
mm/Rev	110
Number of Teeth	22
Pully Diameter [mm]	35.0
Dimensions	
Basic Length L [mm]	490
A [mm]	160
B [mm]	130
C [mm]	74
D [mm]	47
E [mm]	90
F [mm]	40
G [mm]	50
H [mm]	11
I [mm]	12
J [mm]	90
K [mm]	106
M	M6
N	M8
O	M8
P [mm]	76
Q [mm]	250
R [mm]	8.5
S [mm]	102
T	M8
U [mm]	80
X [mm]	37
Y [mm]	35
Z [mm]	18
Shaft Diameter and Length [mm]	18 x 45
Key	6x6x40
Speed	
Speed Maximum [m/s]	4
Forces and Torques	
No-load torque [Nm]	1.8
Tensile force 0.2 sec [N]	1150
Tensile force permanent [N]	1000
Fx dynamic [N]	840
Fy dynamic [N]	2000
Fz dynamic [N]	2800
Mx dynamic [Nm]	320
My dynamic [Nm]	300
Mz dynamic [Nm]	150
Fx static [N]	1000
Fy static [N]	3000
Fz static [N]	3500
Mx static [Nm]	400
My static [Nm]	360
Mz static [Nm]	180
Geometrical moments of inertia of aluminum profile	
Elastic modulus [N/mm ²]	70000
Ix [mm ⁴]	2220000

ly [mm ⁴]	12200000
Weight	
Additional Weight per 100 mm [kg]	1.76
Basic Weight [kg]	11.2