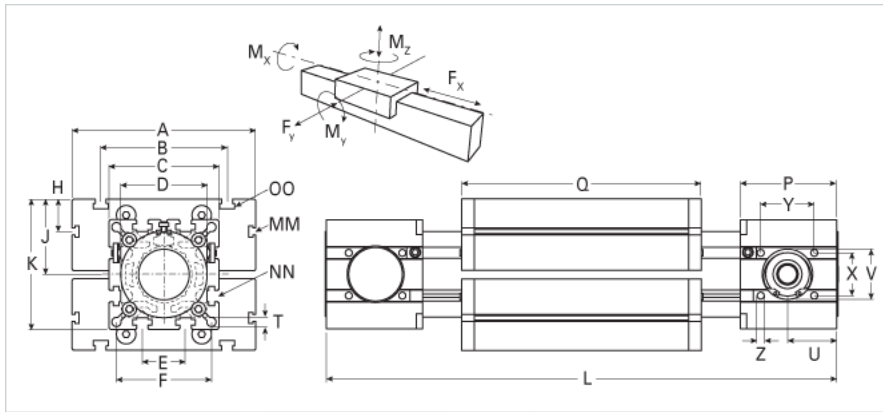
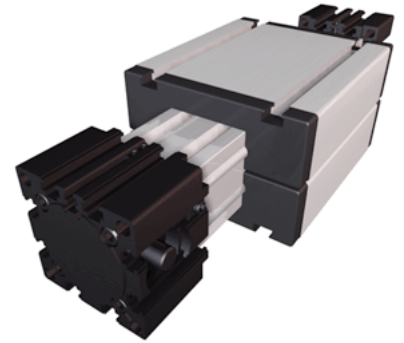


ELHZ 100 WAC

Call 800-321-7800 or visit us online at www.nookindustries.com to configure and order your ELHZ 100 WAC today!



Details

Size	100
Belt	8M48
mm/Rev	144
Number of Teeth	18

Dimensions

Basic Length L [mm]	546
A [mm]	230
B [mm]	155
C [mm]	130
D [mm]	110x1
E [mm]	50
F [mm]	112
G [mm]	-
H [mm]	30
J [mm]	89
K [mm]	154
MM	M10
NN	M10
OO	M10
P [mm]	110
Q [mm]	316
T [mm]	10.5
U [mm]	45
V [mm]	68
W [mm]	19
X [mm]	50
Y [mm]	64
Z	M10
Shaft Diameter and Length [mm]	22 x 45
Key	6x6x40

Speed

Speed Maximum [m/s]	5
---------------------	---

Forces and Torques

No-load torque [Nm]	1.2
Tensile force 0.2 sec [N]	3400
Tensile force permanent [N]	3100
F _x dynamic [N]	2600
F _y dynamic [N]	6500
F _z dynamic [N]	2200
M _x dynamic [Nm]	230
M _y dynamic [Nm]	270
M _z dynamic [Nm]	500
F _x static [N]	3100
F _y static [N]	8000
F _z static [N]	3600
M _x static [Nm]	300
M _y static [Nm]	400
M _z static [Nm]	750

Geometrical moments of inertia of aluminum profile

Elastic modulus [N/mm ²]	70000
I _x [mm ⁴]	4440000
I _y [mm ⁴]	4480000

Weight

Additional Weight per 100 mm [kg]	1.60
Basic Weight [kg]	24
Values for Calculating Inertias	
Pulley Material	Aluminum
Pulley Diameter [mm]	45.84
Effective Pulley Width [mm]	130
Belt Weight [kg/m]	0.355
Standard Carriage Weight [kg]	13.10
No-load torque [Nm]	1.2
Friction Coefficient	0.01