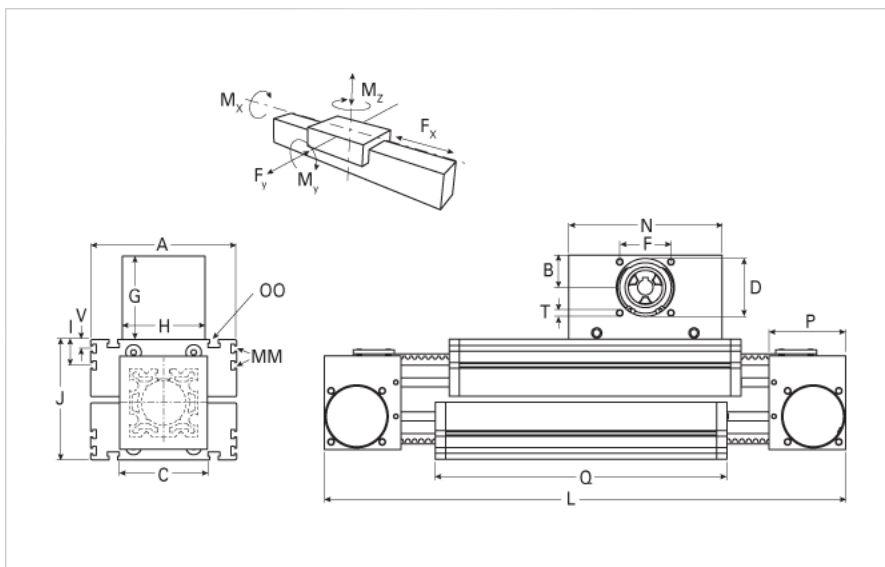
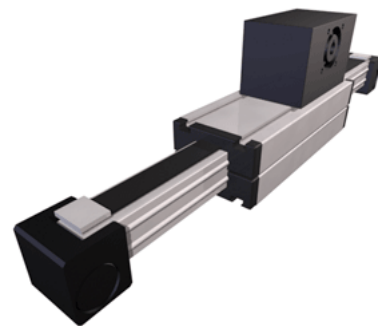


## ELZT 80 Extended Carriage

Call 800-321-7800 or visit us online at [www.nookindustries.com](http://www.nookindustries.com) to configure and order your ELZT 80 Extended Carriage today!



### Details

Size	80
Belt	8M50
mm/Rev	256
Number of Teeth	32
Pully Diameter [mm]	81.5

### Dimensions

Basic Length L [mm]	659
A [mm]	170
B [mm]	60
C [mm]	100
D [mm]	90
F [mm]	80
G [mm]	140
H [mm]	130
I [mm]	30
J [mm]	140
MM	M6
N [mm]	270
OO	M10
P [mm]	90
Q [mm]	469
T	M10
V [mm]	10
Shaft Diameter and Length [mm]	22 x 45
Key	6x6x40

### Speed

Speed Maximum [m/s]	6
---------------------	---

### Forces and Torques

No-load torque [Nm]	1.3
Tensile force 0.2 sec [N]	2200
Tensile force permanent [N]	1800
Fy dynamic [N]	2000
Fx dynamic [N]	660
Fz dynamic [N]	1100
Mx dynamic [Nm]	55
My dynamic [Nm]	80
Mz dynamic [Nm]	120
Fx static [N]	825
Fy static [N]	3000
Fz static [N]	1700
Mx static [Nm]	90
My static [Nm]	110
Mz static [Nm]	150

### Geometrical moments of inertia of aluminum profile

Elastic modulus [N/mm <sup>2</sup> ]	70000
Ix [mm <sup>4</sup> ]	1899000
Iy [mm <sup>4</sup> ]	1897000

**Weight**

Additional Weight per 100 mm [kg]

1.14

Basic Weight [kg]

24.0