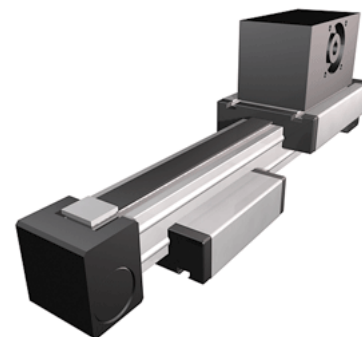
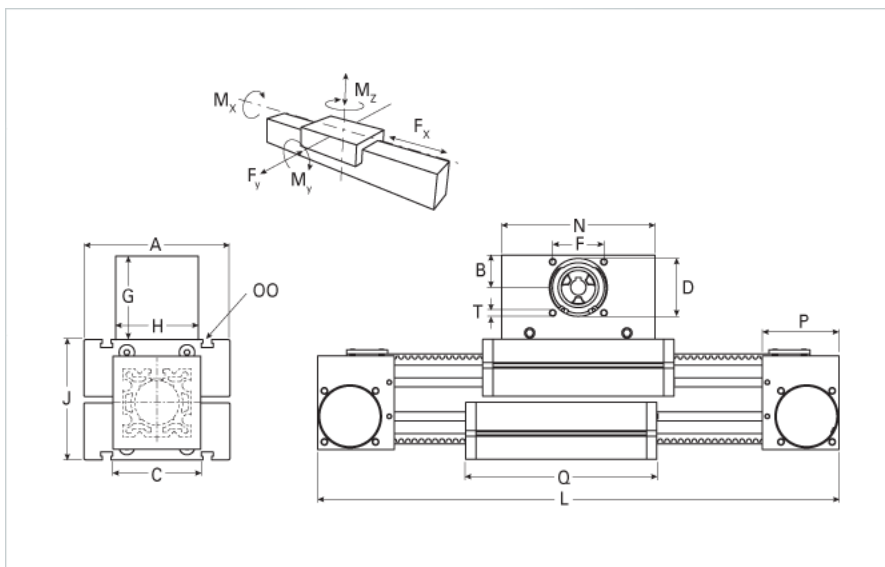


ELZT 60S

Call 800-321-7800 or visit us online at www.nookindustries.com to configure and order your ELZT 60S today!



| Details | |
|----------------------------------------------------|---------|
| Size | 60S |
| Belt | 8M30 |
| mm/Rev | 192 |
| Number of Teeth | 24 |
| Pully Diameter [mm] | 61.1 |
| Dimensions | |
| Basic Length L [mm] | 370 |
| A [mm] | 170 |
| B [mm] | 39 |
| C [mm] | 80 |
| D [mm] | 68 |
| F [mm] | 60 |
| G [mm] | 105 |
| H [mm] | 100 |
| I [mm] | - |
| J [mm] | 106 |
| MM | - |
| N [mm] | 180 |
| OO | M8 |
| P [mm] | 59 |
| Q [mm] | 220 |
| T | M8 |
| V [mm] | - |
| Shaft Diameter and Length [mm] | 18 x 45 |
| Key | 6x6x40 |
| Speed | |
| Speed Maximum [m/s] | 7 |
| Forces and Torques | |
| No-load torque [Nm] | 1.1 |
| Tensile force 0.2 sec [N] | 700 |
| Tensile force permanent [N] | 580 |
| Fy dynamic [N] | 310 |
| Fx dynamic [N] | 470 |
| Fz dynamic [N] | 1600 |
| Mx dynamic [Nm] | 65 |
| My dynamic [Nm] | 140 |
| Mz dynamic [Nm] | 170 |
| Fx static [N] | 580 |
| Fy static [N] | 4100 |
| Fz static [N] | 2160 |
| Mx static [Nm] | 88 |
| My static [Nm] | 190 |
| Mz static [Nm] | 230 |
| Geometrical moments of inertia of aluminum profile | |
| Elastic modulus [N/mm ²] | 70000 |
| Ix [mm ⁴] | 679000 |
| Iy [mm ⁴] | 697000 |

Weight

Additional Weight per 100 mm [kg]

0.73

Basic Weight [kg]

10.1