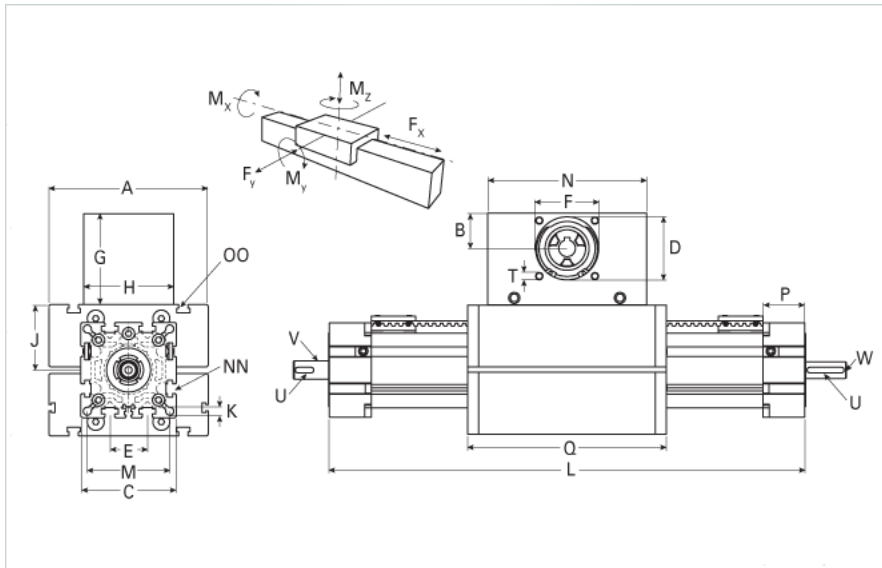
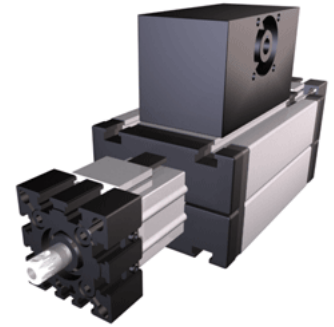


ELSD 60S WAC

Call 800-321-7800 or visit us online at www.nookindustries.com to configure and order your ELSD 60S WAC today!



Details

Size	60S
Belt	5M25
mm/Rev	130
Number of Teeth	26

Dimensions

Basic Length L [mm]	326
A [mm]	170
B [mm]	30
C [mm]	82
D [mm]	47
E [mm]	30
F [mm]	42
G [mm]	80
H [mm]	80
I [mm]	-
J [mm]	53
K [mm]	8.5
M [mm]	69
MM	-
N [mm]	130
NN	M8
OO	M8
P [mm]	35
Q [mm]	214
T	M6
X [mm]	-
V (Z Drive End) [mm]	14 x 25
U (Z Drive End) [mm]	5x5x20
V (Z Load End) [mm]	17 x 25
U (Z Load End) [mm]	5x5x20
W (Z Load End) [mm]	M8x20
Shaft Diameter and Length [mm]	14 x 35
Key	5x5x28

Speed

Speed Maximum [m/s]	7
---------------------	---

Forces and Torques

No-load torque Stiction torque M_r [Nm]	0.1
No-load torque [Nm]	0.9
Tensile force 0.2 sec [N]	1000
Tensile force permanent [N]	900
F_d [N]	150
M_r [Nm]	10
F_x dynamic [N]	800
F_y dynamic [N]	3100
F_z dynamic [N]	1600
M_x dynamic [Nm]	65
M_y dynamic [Nm]	140

Mz dynamic [Nm]	170
Fx static [N]	894
Fy static [N]	4100
Fz static [N]	2160
Mx static [Nm]	88
My static [Nm]	190
Mz static [Nm]	230
Geometrical moments of inertia of aluminum profile	
Elastic modulus [N/mm ²]	70000
Ix [mm ⁴]	679000
Iy [mm ⁴]	697000
Weight	
Additional Weight per 100 mm [kg]	0.87
Basic Weight [kg]	6.9
Values for Calculating Inertias	
Pulley Material - Drive Pulley (x1)	Steel
Pulley Material - Idler Pulleys (x2)	Aluminum
Pulley Diameter [mm]	41.38
Effective Pulley Width [mm]	80
Belt Weight [kg/m]	0.123
Standard Carriage Weight [kg]	5.14
No-load torque [Nm]	0.9
Friction Coefficient	0.01