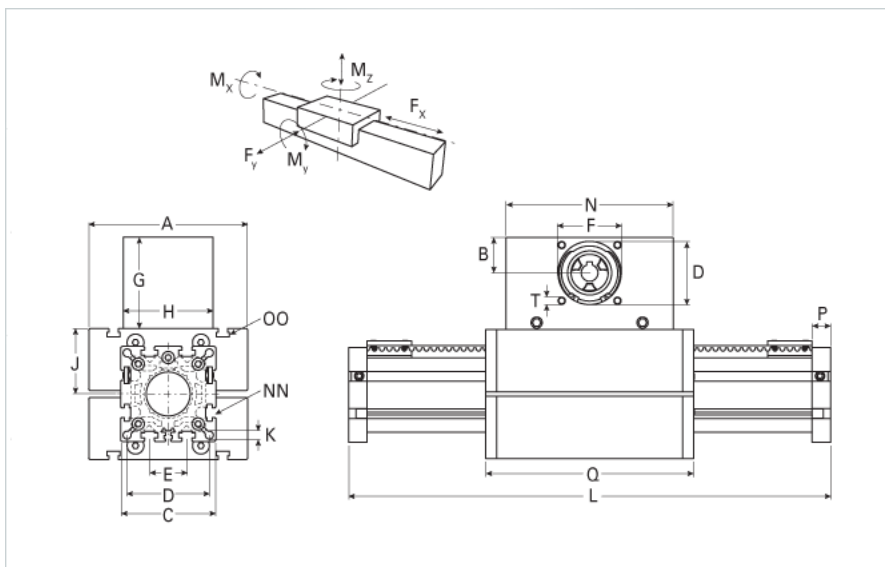
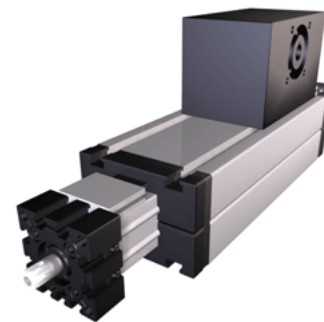


ELSZ 60 WAC Wide Belt Extended Carriage

Call 800-321-7800 or visit us online at www.nookindustries.com to configure and order your ELSZ 60 WAC Wide Belt Extended Carriage today!



Details

| | |
|-----------------|------|
| Size | 60 |
| Belt | 8M30 |
| mm/Rev | 192 |
| Number of Teeth | 24 |

Dimensions

| | |
|--------------------------------|---------|
| Basic Length L [mm] | 510 |
| A [mm] | 144 |
| B [mm] | 39 |
| C [mm] | 82 |
| D [mm] | 68 |
| E [mm] | 30 |
| F [mm] | 60 |
| G [mm] | 105 |
| H [mm] | 100 |
| I [mm] | - |
| J [mm] | 49 |
| K [mm] | 8.5 |
| MM | - |
| N [mm] | 180 |
| NN | M8 |
| O [mm] | 69 |
| OO | M8 |
| P [mm] | 16 |
| Q [mm] | 369 |
| T | M8 |
| V [mm] | - |
| Shaft Diameter and Length [mm] | 18 x 45 |
| Key | 6x6x40 |

Speed

| | |
|---------------------|---|
| Speed Maximum [m/s] | 5 |
|---------------------|---|

Forces and Torques

| | |
|-----------------------------|------|
| No-load torque [Nm] | 0.9 |
| Tensile force 0.2 sec [N] | 290 |
| Tensile force permanent [N] | 1900 |
| Fx dynamic [N] | 1800 |
| Fy dynamic [N] | 2000 |
| Fz dynamic [N] | 1100 |
| Mx dynamic [Nm] | 43 |
| My dynamic [Nm] | 70 |
| Mz dynamic [Nm] | 100 |
| Fx static [N] | 1700 |
| Fy static [N] | 3000 |
| Fz static [N] | 1700 |
| Mx static [Nm] | 67 |
| My static [Nm] | 90 |
| Mz static [Nm] | 120 |

Geometrical moments of inertia of aluminum profile

| | |
|--|----------|
| Elastic modulus [N/mm ²] | 70000 |
| Ix [mm ⁴] | 679000 |
| Iy [mm ⁴] | 697000 |
| Weight | |
| Additional Weight per 100 mm [kg] | 0.62 |
| Basic Weight [kg] | 6.3 |
| Values for Calculating Inertias | |
| Pulley Material - Drive Pulley (x1) | Steel |
| Pulley Material - Idler Pulleys (x2) | Aluminum |
| Pulley Diameter [mm] | 61.1 |
| Effective Pulley Width [mm] | 100 |
| Belt Weight [kg/m] | 0.123 |
| Standard Carriage Weight [kg] | 7.00 |
| No-load torque [Nm] | 0.9 |
| Friction Coefficient | 0.01 |