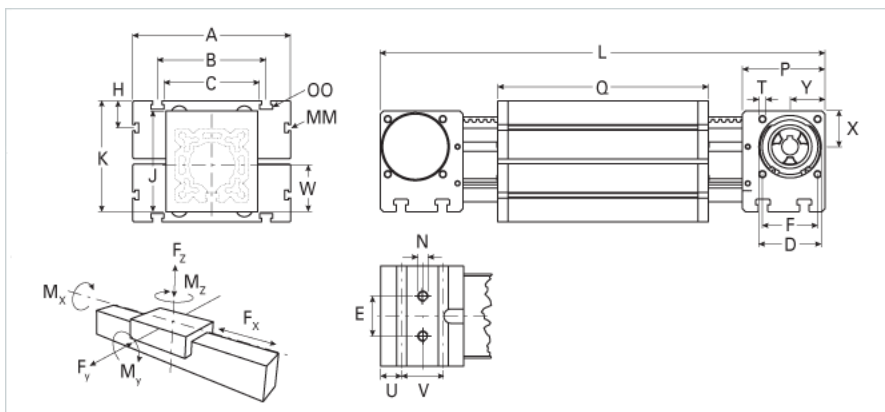
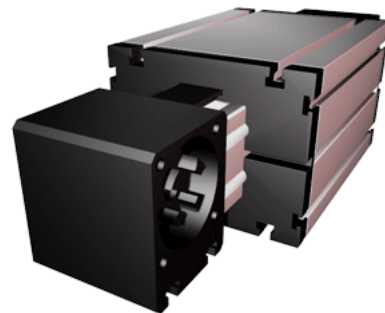


## ELZex 100 WAC

Call 800-321-7800 or visit us online at [www.nookindustries.com](http://www.nookindustries.com) to configure and order your ELZex 100 WAC today!



Details	
Size	100
Belt	8M50
mm/Rev	256
Number of Teeth	32
Dimensions	
Basic Length L [mm]	546
A [mm]	230
B [mm]	155
C [mm]	130
D [mm]	90
E [mm]	50
F [mm]	80
G [mm]	-
H [mm]	30
J [mm]	125
K [mm]	154
MM	M10
N	M12
OO	M10
P [mm]	110
Q [mm]	316
T	M10
U [mm]	23
V [mm]	64
W [mm]	65
X [mm]	50
Y [mm]	50
Shaft Diameter and Length [mm]	22 x 45
Key	6x6x40
Speed	
Speed Maximum [m/s]	1
Forces and Torques	
No-load torques [Nm]	1.4
Tensile force permanent [N]	1127
Fx dynamic [N]	902
Fy dynamic [N]	2480
Fz dynamic [N]	1034
Mx dynamic [Nm]	81
My dynamic [Nm]	109
Mz dynamic [Nm]	260
Fx static [N]	1127
Fy static [N]	3100
Fz static [N]	1292
Mx static [Nm]	101
My static [Nm]	136
Mz static [Nm]	326
Geometrical moments of inertia of aluminum profile	
Elastic modulus [N/mm <sup>2</sup> ]	70000
Ix [mm <sup>4</sup> ]	4440000
Iy [mm <sup>4</sup> ]	4480000
Weight	
Additional Weight per 100 mm [kg]	1.60
Basic Weight [kg]	24.0

**Values for Calculating Inertias**

Pulley Material	Aluminum
Pulley Diameter [mm]	81.49
Effective Pulley Width [mm]	130
Belt Weight [kg/m]	0.355
Standard Carriage Weight [kg]	13.10
No-load torque [Nm]	1.4
Friction Coefficient	0.01