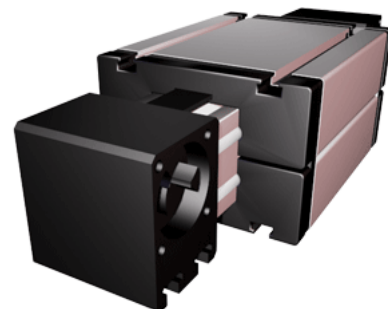
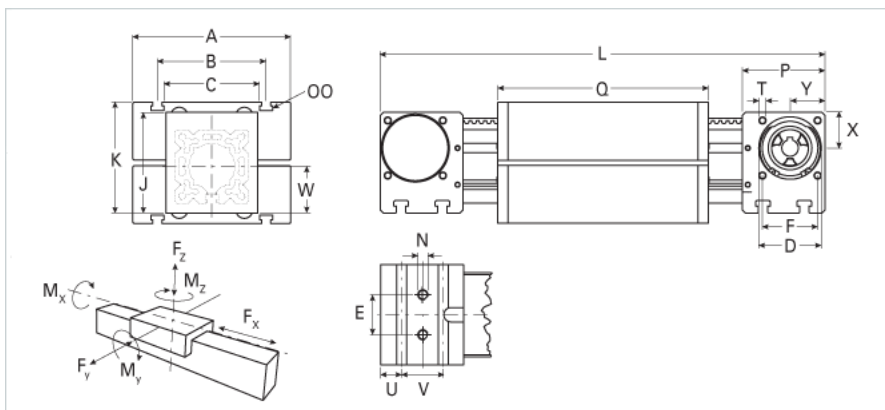


## ELZex 60S WAC

Call 800-321-7800 or visit us online at [www.nookindustries.com](http://www.nookindustries.com) to configure and order your ELZex 60S WAC today!



Details	
Size	60S
Belt	5M25
mm/Rev	130
Number of Teeth	26
Dimensions	
Basic Length L [mm]	335
A [mm]	144
B [mm]	108
C [mm]	80
D [mm]	47
E [mm]	30
F [mm]	42
G [mm]	-
H [mm]	-
J [mm]	82
K [mm]	94
MM	-
N	M8
OO	M8
P [mm]	59
Q [mm]	314
T	M6
U [mm]	15
V [mm]	30
W [mm]	41
X [mm]	27
Y [mm]	26
Shaft Diameter and Length [mm]	14 x 35
Key	5x5x28
Speed	
Speed Maximum [m/s]	1
Forces and Torques	
No-load torques [Nm]	0.6
Tensile force permanent [N]	312
Fx dynamic [N]	250
Fy dynamic [N]	1528
Fz dynamic [N]	748
Mx dynamic [Nm]	41
My dynamic [Nm]	53
Mz dynamic [Nm]	110
Fx static [N]	312
Fy static [N]	1910
Fz static [N]	935
Mx static [Nm]	52
My static [Nm]	66
Mz static [Nm]	137
Geometrical moments of inertia of aluminum profile	
Elastic modulus [N/mm <sup>2</sup> ]	70000
Ix [mm <sup>4</sup> ]	679000
Iy [mm <sup>4</sup> ]	697000
Weight	
Additional Weight per 100 mm [kg]	0.62
Basic Weight [kg]	4.8

**Values for Calculating Inertias**

Pulley Material	Steel
Pulley Diameter [mm]	41.38
Effective Pulley Width [mm]	80
Belt Weight [kg/m]	0.123
Standard Carriage Weight [kg]	4.84
No-load torque [Nm]	0.7
Friction Coefficient	0.01