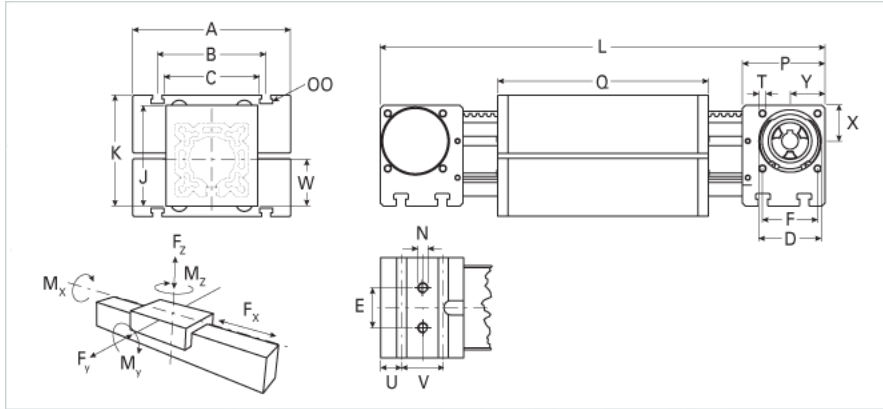
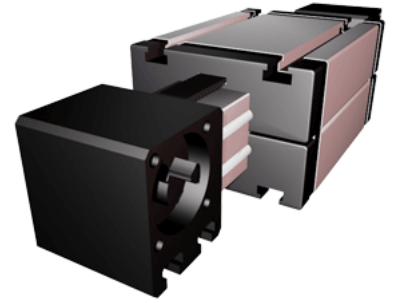


ELZex 40 WAC

Call 800-321-7800 or visit us online at www.nookindustries.com to configure and order your ELZex 40 WAC today!



Details

Size	40
Belt	5M12
mm/Rev	100
Number of Teeth	20

Dimensions

Basic Length L [mm]	241
A [mm]	100
B [mm]	66
C [mm]	58
D [mm]	37
E [mm]	18
F [mm]	32
G [mm]	-
H [mm]	-
J [mm]	58
K [mm]	64
MM	-
N	M6
OO	M6
P [mm]	49
Q [mm]	138
T	M5
U [mm]	12.5
V [mm]	24
W [mm]	29
X [mm]	20.5
Y [mm]	20.5
Shaft Diameter and Length [mm]	10X 27
Key	3x3x25

Speed

Speed Maximum [m/s]	1
---------------------	---

Forces and Torques

No-load torques [Nm]	0.3
Tensile force permanent [N]	178
Fx dynamic [N]	142
Fy dynamic [N]	414
Fz dynamic [N]	284
Mx dynamic [Nm]	10
My dynamic [Nm]	11
Mz dynamic [Nm]	15
Fx static [N]	178
Fy static [N]	517
Fz static [N]	355
Mx static [Nm]	12
My static [Nm]	13
Mz static [Nm]	19

Geometrical moments of inertia of aluminum profile

Elastic modulus [N/mm ²]	70000
Ix [mm ⁴]	132000
Iy [mm ⁴]	134000

Weight

Additional Weight per 100 mm [kg]	0.24
Basic Weight [kg]	1.9

Values for Calculating Inertias

Pulley Material	Steel
Pulley Diameter [mm]	31.83
Effective Pulley Width [mm]	58
Belt Weight [kg/m]	0.074
Standard Carriage Weight [kg]	1.04
No-load torque [Nm]	0.3
Friction Coefficient	0.01