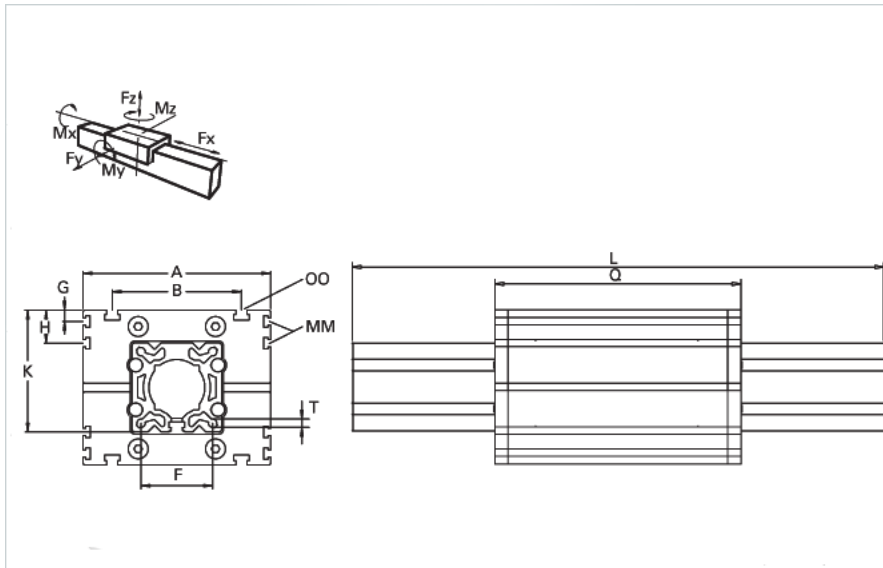
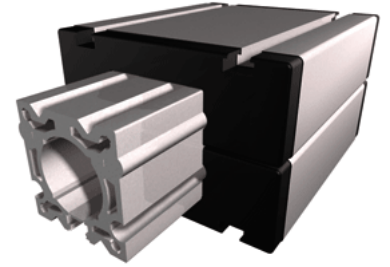


## ER 30 WAC

Call 800-321-7800 or visit us online at [www.nookindustries.com](http://www.nookindustries.com) to configure and order your ER 30 WAC today!



### Details

Size 30

### Dimensions

Basic Length L [mm]	98
A [mm]	70
B [mm]	56
F [mm]	23
G [mm]	-
H [mm]	-
J	M6
K [mm]	41
MM	-
OO	M6
Q [mm]	94
T-Diameter	M4

### Forces and Torques

Fx dynamic [N]	-
Fy dynamic [N]	60
Fz dynamic [N]	60
Mx dynamic [Nm]	5
My dynamic [Nm]	6
Mz dynamic [Nm]	7
Fx static [N]	-
Fy static [N]	90
Fz static [N]	90
Mx static [Nm]	10
My static [Nm]	13
Mz static [Nm]	14

### Geometrical moments of inertia of aluminum profile

Elastic modulus [N/mm <sup>2</sup> ]	70000
Ix [mm <sup>4</sup> ]	40900
Iy [mm <sup>4</sup> ]	40000

### Weight

Additional Weight per 100 mm [kg]	0.12
Basic Weight [kg]	0.5