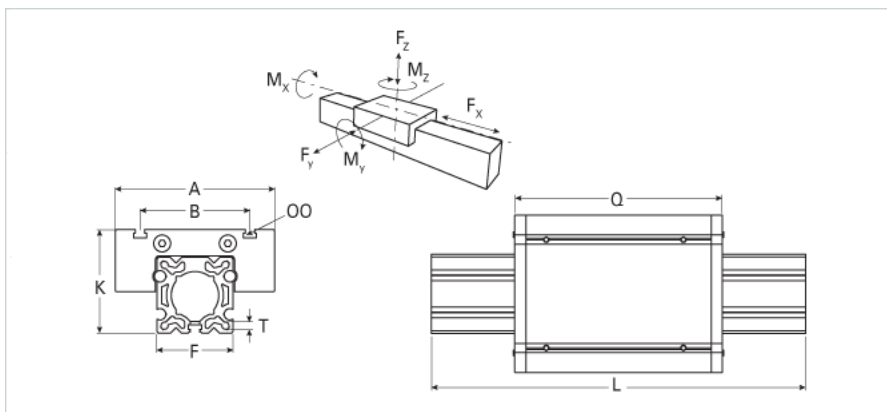
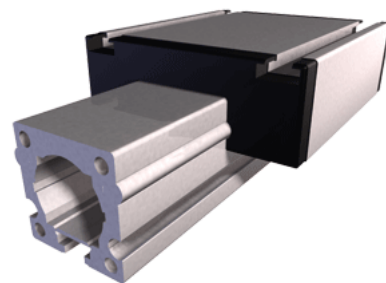


ER 60S

Call 800-321-7800 or visit us online at www.nookindustries.com to configure and order your ER 60S today!



Details	
Size	60S
Dimensions	
Basic Length L [mm]	198
A [mm]	170
B [mm]	108
F [mm]	48
G [mm]	-
H [mm]	-
J	M6-M10
K [mm]	83
MM	-
OO	M8
Q [mm]	194
T-Diameter	M6
Forces and Torques	
Fx dynamic [N]	-
Fy dynamic [N]	3100
Fz dynamic [N]	1600
Mx dynamic [Nm]	65
My dynamic [Nm]	140
Mz dynamic [Nm]	170
Fx static [N]	-
Fy static [N]	4100
Fz static [N]	2160
Mx static [Nm]	88
My static [Nm]	190
Mz static [Nm]	230
Geometrical moments of inertia of aluminum profile	
Elastic modulus [N/mm ²]	70000
Ix [mm ⁴]	679000
Iy [mm ⁴]	697000
Weight	
Additional Weight per 100 mm [kg]	0.61
Basic Weight [kg]	3.4