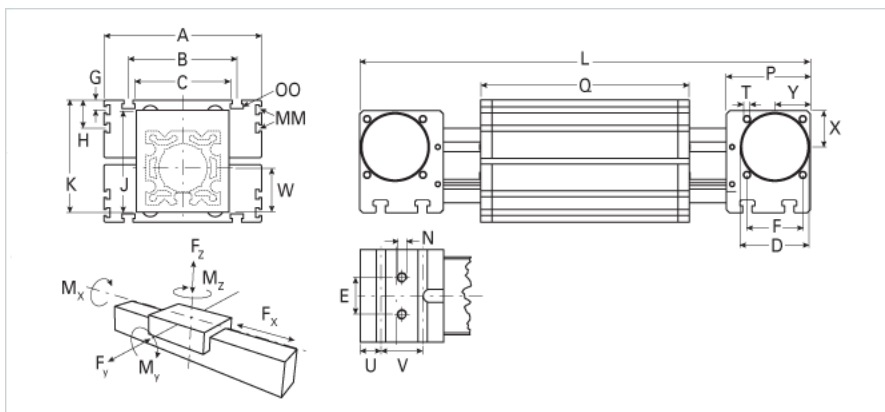
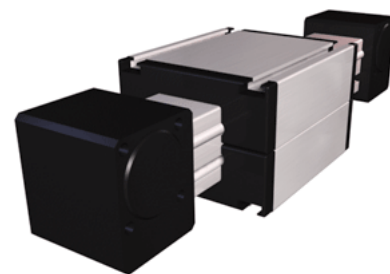


ELRZ 80 WAC

Call 800-321-7800 or visit us online at www.nookindustries.com to configure and order your ELRZ 80 WAC today!



Details	
Size	80
Dimensions	
Basic Length L [mm]	391
A [mm]	170
B [mm]	117
C [mm]	100
D [mm]	68
E [mm]	40
F [mm]	60
G [mm]	10
H [mm]	30
J [mm]	110
K [mm]	121
MM	M6
N	M10
OO	M10
P [mm]	90
Q [mm]	210
T-Diameter	M8
U [mm]	22.5
V [mm]	45
W [mm]	51
X [mm]	39
Y [mm]	38
Forces and Torques	
Fx dynamic [N]	-
Fy dynamic [N]	2000
Fz dynamic [N]	1100
Mx dynamic [Nm]	55
My dynamic [Nm]	80
Mz dynamic [Nm]	120
Fx static [N]	-
Fy static [N]	3000
Fz static [N]	1700
Mx static [Nm]	90
My static [Nm]	110
Mz static [Nm]	150
Geometrical moments of inertia of aluminum profile	
Elastic modulus [N/mm ²]	70000
Ix [mm ⁴]	1899000
Iy [mm ⁴]	1897000
Weight	
Additional Weight per 100 mm [kg]	0.90
Basic Weight [kg] [.0}	6.7