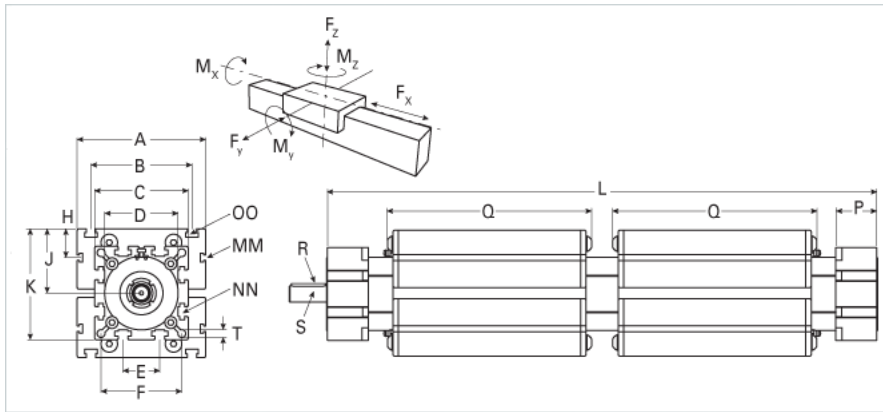
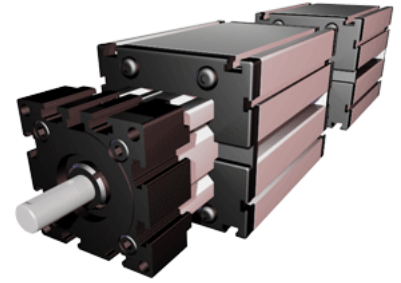


EGK 80 WAC Dual Carriage

Call 800-321-7800 or visit us online at www.nookindustries.com to configure and order your EGK 80 WAC Dual Carriage today!



Details

Size	80
Screw Options	32x5/25x25/32x10
Screw Type	Ball Screw

Dimensions

Basic Length L [mm]	512
A [mm]	140
B [mm]	110
C [mm]	102
D [mm]	80x1
E [mm]	40
F [mm]	88
H [mm]	30
J [mm]	70
K [mm]	121
MM [mm]	M6
NN [mm]	M10
OO [mm]	M10
P [mm]	45
Q [mm]	193
R [mm]	6x6x40
S Diameter x Length [mm]	18x45
T-Diameter [mm]	8.5

Forces and Torques

No Load Torque [Nm]	0.80
Fx dynamic [N]	3500
Fy dynamic [N]	900
Fz dynamic [N]	1000
Mx dynamic [Nm]	75
My dynamic [Nm]	200
Mz dynamic [Nm]	150
Fx static [N]	4200
Fy static [N]	1000
Fz static [N]	1125
Mx static [Nm]	82
My static [Nm]	220
Mz static [Nm]	165

Geometrical moments of inertia of aluminum profile

Elastic modulus [N/mm ²]	70000
Ix [mm ⁴]	1914000
Iy [mm ⁴]	2012000

Weight

Additional Weight per 100 mm [kg]	1.14
Basic Weight [kg]	6.7