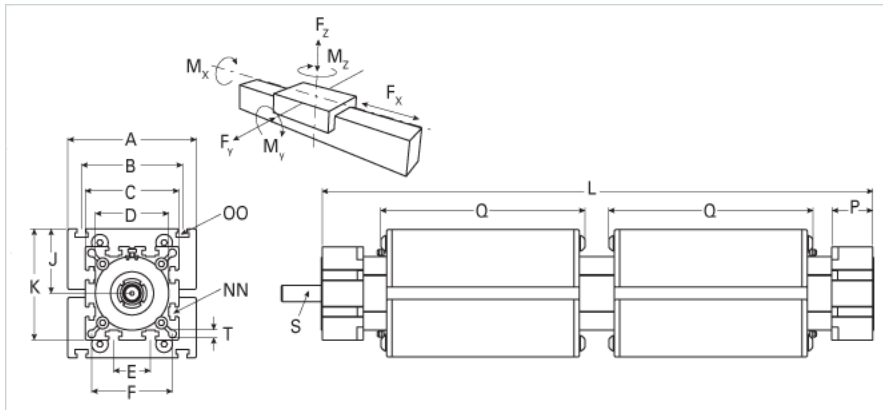
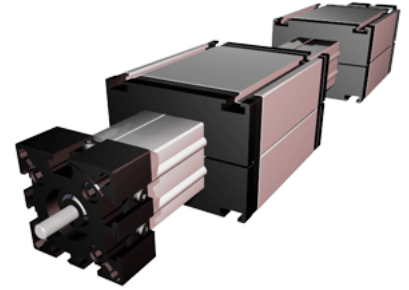


EGK 30 WAC Dual Carriage

Call 800-321-7800 or visit us online at www.nookindustries.com to configure and order your EGK 30 WAC Dual Carriage today!



Details

Size	30
Screw Options	8x2.5
Screw Type	Ball Screw

Dimensions

Basic Length L [mm]	226
A [mm]	70
B [mm]	56
C [mm]	42
D [mm]	40x1
E [mm]	13
F [mm]	35
H [mm]	-
J [mm]	26
K [mm]	47
MM [mm]	-
NN [mm]	M6
OO [mm]	M6
P [mm]	18
Q [mm]	82
R [mm]	3x3x25
S Diameter x Length [mm]	5x16
T-Diameter [mm]	4.2

Forces and Torques

No Load Torque [Nm]	0.25
Fx dynamic [N]	600
Fy dynamic [N]	60
Fz dynamic [N]	60
Mx dynamic [Nm]	5
My dynamic [Nm]	6
Mz dynamic [Nm]	7
Fx static [N]	750
Fy static [N]	90
Fz static [N]	90
Mx static [Nm]	10
My static [Nm]	13
Mz static [Nm]	14

Geometrical moments of inertia of aluminum profile

Elastic modulus [N/mm ²]	70000
Ix [mm ⁴]	40900
Iy [mm ⁴]	40000

Weight

Additional Weight per 100 mm [kg]	0.16
Basic Weight [kg]	0.6