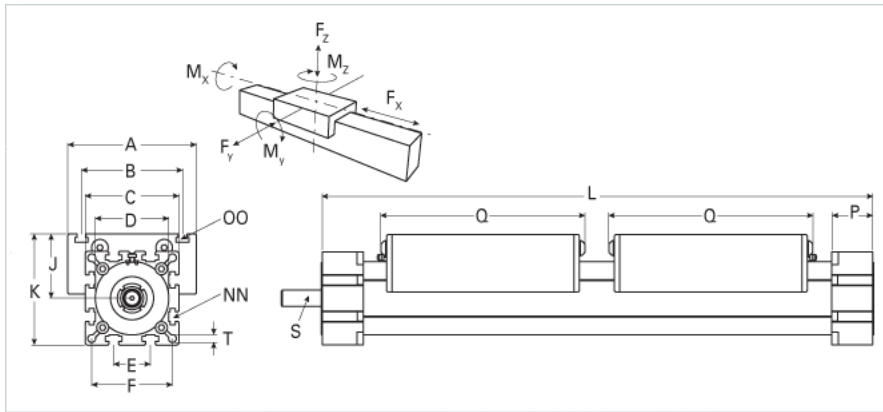
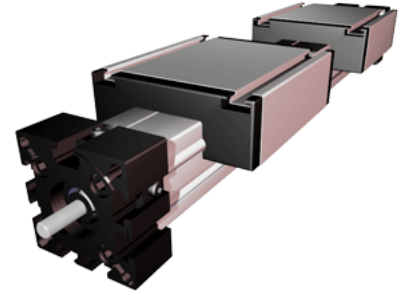


## EGK 30 Dual Carriage

Call 800-321-7800 or visit us online at [www.nookindustries.com](http://www.nookindustries.com) to configure and order your EGK 30 Dual Carriage today!



### Details

|               |            |
|---------------|------------|
| Size          | 30         |
| Screw Options | 8x2.5      |
| Screw Type    | Ball Screw |

### Dimensions

|                          |        |
|--------------------------|--------|
| Basic Length L [mm]      | 202    |
| A [mm]                   | 70     |
| B [mm]                   | 56     |
| C [mm]                   | 42     |
| D [mm]                   | 40x1   |
| E [mm]                   | 13     |
| F [mm]                   | 35     |
| H [mm]                   | -      |
| J [mm]                   | 26     |
| K [mm]                   | 47     |
| MM [mm]                  | -      |
| NN [mm]                  | M6     |
| OO [mm]                  | M6     |
| P [mm]                   | 18     |
| Q [mm]                   | 82     |
| R [mm]                   | 3x3x25 |
| S Diameter x Length [mm] | 5x16   |
| T-Diameter [mm]          | 4.2    |

### Forces and Torques

|                     |      |
|---------------------|------|
| No Load Torque [Nm] | 0.25 |
| Fx dynamic [N]      | 600  |
| Fy dynamic [N]      | 60   |
| Fz dynamic [N]      | 60   |
| Mx dynamic [Nm]     | 5    |
| My dynamic [Nm]     | 6    |
| Mz dynamic [Nm]     | 7    |
| Fx static [N]       | 750  |
| Fy static [N]       | 90   |
| Fz static [N]       | 90   |
| Mx static [Nm]      | 10   |
| My static [Nm]      | 13   |
| Mz static [Nm]      | 14   |

### Geometrical moments of inertia of aluminum profile

|                                      |       |
|--------------------------------------|-------|
| Elastic modulus [N/mm <sup>2</sup> ] | 70000 |
| Ix [mm <sup>4</sup> ]                | 40900 |
| Iy [mm <sup>4</sup> ]                | 40000 |

### Weight

|                                   |      |
|-----------------------------------|------|
| Additional Weight per 100 mm [kg] | 0.16 |
| Basic Weight [kg]                 | 0.6  |