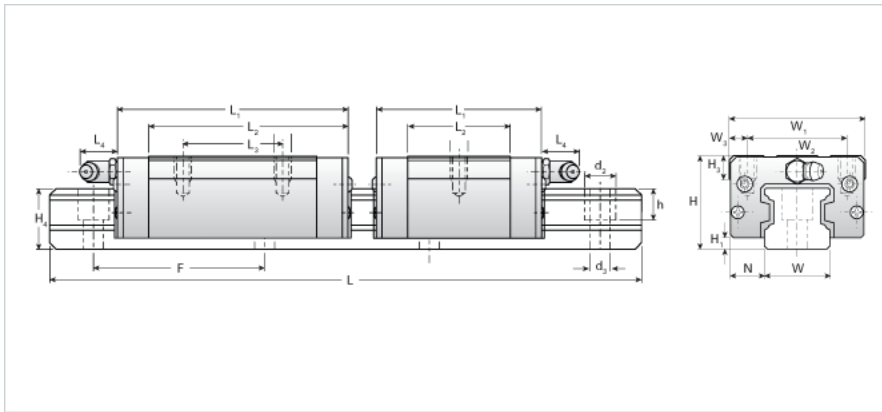


NU15ER Assembly

Call 800-321-7800 or visit us online at www.nookindustries.com to configure and order your NU15ER Assembly today!



Dimensions

H [mm]	24
H1 [mm]	4.6
N [mm]	9.5

Metric Profile Rail (Rail)Details

Size [mm]	15
Type	Compact

(Rail)Dimensions

d2 [mm]	6
d3 [mm]	3.5
h [mm]	9
H4 [mm]	17
F [mm]	60
W [mm]	15
Maximum Length [mm]	1500

(Rail)Weight

Weights-Rail [kg/m]	1.7
---------------------	-----

Metric Runner Block, Heavy Load, Compact Type, 4 Tapped Holes

(Runner Block)Details

Size [mm]	15
-----------	----

(Runner Block)Dimensions

L1 [mm]	58.5
L2 [mm]	38.5
L3 [mm]	26
L4 [mm]	0
H3 [mm]	6
M1 x l	M4X5
W1 [mm]	34
W2 [mm]	26
W3 [mm]	4

(Runner Block)Forces and Torques

Basic Load Ratings C [kN]	8.43
Basic Load Ratings C [lbf]	1895
Basic Load Ratings C0 [kN]	13.53
Basic Load Ratings C0 [lbf]	3041
Static Moment Ratings-Ma [kN-m]	0.07
Static Moment Ratings-Ma [lb-in]	608
Static Moment Ratings-Mb [kN-m]	0.07
Static Moment Ratings-Mb [lb-in]	608
Static Moment Ratings-Mc [kN-m]	0.13
Static Moment Ratings-Mc [lb-in]	1128

(Runner Block)Weight

Weight-Block [kg]	0.13
-------------------	------

(Runner Block)Grease Fitting

Grease Fitting Part Number	NAS516-1A
----------------------------	-----------