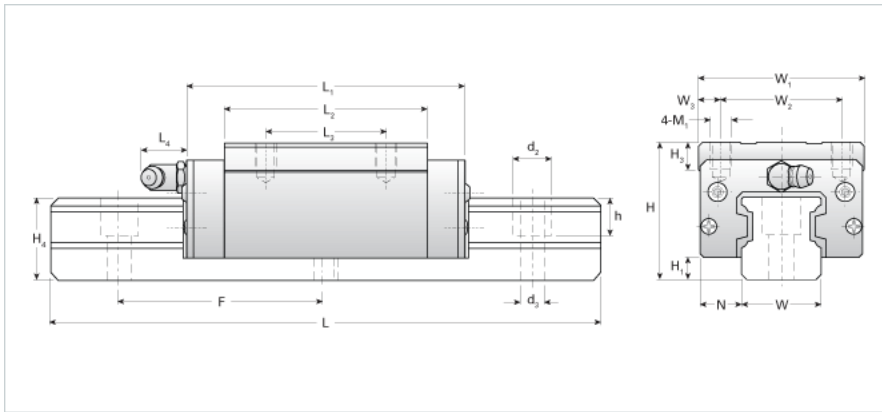


## NH35LER Assembly

Call 800-321-7800 or visit us online at [www.nookindustries.com](http://www.nookindustries.com) to configure and order your NH35LER Assembly today!



<b>Dimensions</b>	
H [mm]	55
H1 [mm]	8
N [mm]	18.0
<b>Metric Profile Rail (Rail)Details</b>	
Size [mm]	35
Type	Standard
<b>(Rail)Dimensions</b>	
d2 [mm]	14
d3 [mm]	9
h [mm]	15
H4 [mm]	32
F [mm]	80
W [mm]	34
Maximum Length [mm]	4000
<b>(Rail)Weight</b>	
Weights-Rail [kg/m]	7.5
<b>Metric Runner Block, Ultra Heavy Load, Narrow Width, 4 Tapped Holes (Runner Block)Details</b>	
Size [mm]	35
<b>(Runner Block)Dimensions</b>	
L1 [mm]	141
L2 [mm]	109
L3 [mm]	72
L4 [mm]	12
M1 x l	M8X12
H3 [mm]	10
W1 [mm]	70
W2 [mm]	50
W3 [mm]	10
<b>(Runner Block)Forces and Torques</b>	
Basic Load Ratings C [kN]	50.30
Basic Load Ratings C [lbf]	11306
Basic Load Ratings C0 [kN]	81.59
Basic Load Ratings C0 [lbf]	18337
Static Moment Ratings-Ma [kN-m]	1.13
Static Moment Ratings-Ma [lb-in]	9982
Static Moment Ratings-Mb [kN-m]	1.13
Static Moment Ratings-Mb [lb-in]	9982
Static Moment Ratings-Mc [kN-m]	1.64
Static Moment Ratings-Mc [lb-in]	14496
<b>(Runner Block)Weight</b>	
Weight-Block [kg]	2.20
<b>(Runner Block)Grease Fitting</b>	
Grease Fitting Part Number	B-M6F