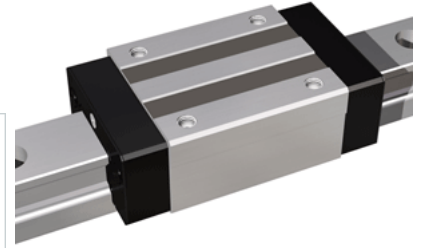
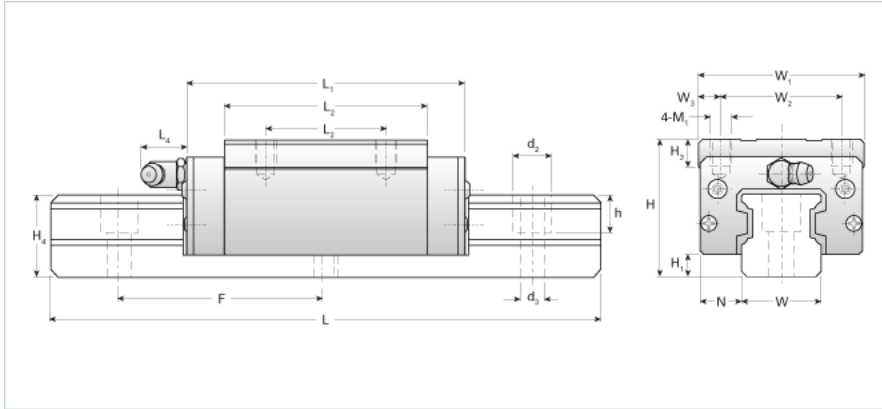


## NH35ER Assembly

Call 800-321-7800 or visit us online at [www.nookindustries.com](http://www.nookindustries.com) to configure and order your NH35ER Assembly today!



### Dimensions

H [mm]	55
H1 [mm]	8
N [mm]	18.0

### Metric Profile Rail (Rail)Details

Size [mm]	35
Type	Standard

### (Rail)Dimensions

d2 [mm]	14
d3 [mm]	9
h [mm]	15
H4 [mm]	32
F [mm]	80
W [mm]	34
Maximum Length [mm]	4000

### (Rail)Weight

Weights-Rail [kg/m]	7.5
---------------------	-----

### Metric Runner Block, Heavy Load, Narrow Width, 4 Tapped Holes

#### (Runner Block)Details

Size [mm]	35
-----------	----

#### (Runner Block)Dimensions

L1 [mm]	112
L2 [mm]	80
L3 [mm]	50
L4 [mm]	12
M1 x l	M8X12
H3 [mm]	10
W1 [mm]	70
W2 [mm]	50
W3 [mm]	10

#### (Runner Block)Forces and Torques

Basic Load Ratings C [kN]	37.55
Basic Load Ratings C [lbf]	8441
Basic Load Ratings C0 [kN]	62.56
Basic Load Ratings C0 [lbf]	14061
Static Moment Ratings-Ma [kN-m]	0.64
Static Moment Ratings-Ma [lb-in]	5642
Static Moment Ratings-Mb [kN-m]	0.64
Static Moment Ratings-Mb [lb-in]	5642
Static Moment Ratings-Mc [kN-m]	1.13
Static Moment Ratings-Mc [lb-in]	9982

#### (Runner Block)Weight

Weight-Block [kg]	1.60
-------------------	------

#### (Runner Block)Grease Fitting

Grease Fitting Part Number	B-M6F
----------------------------	-------